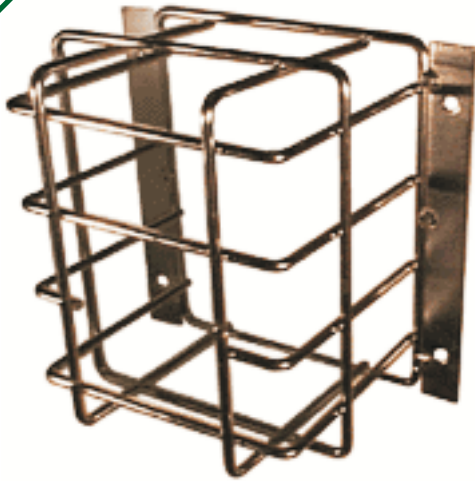


NO EXCUSES!

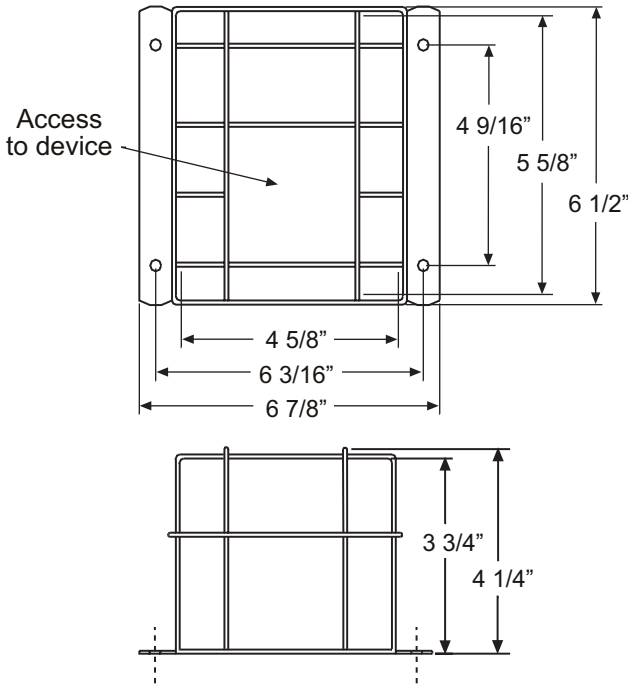


Pull Station Guard

The PSG Pull Station Guard is specifically designed to mount over fire alarm pull stations to assist in preventing false alarms caused by inadvertent blows to the device. In addition, deters vandalism in public areas such as prisons, housing projects, universities, hotels and other public locations.

The PSG is constructed of heavy gauge tempered steel rod and designed for utilization of the device without operational interference.

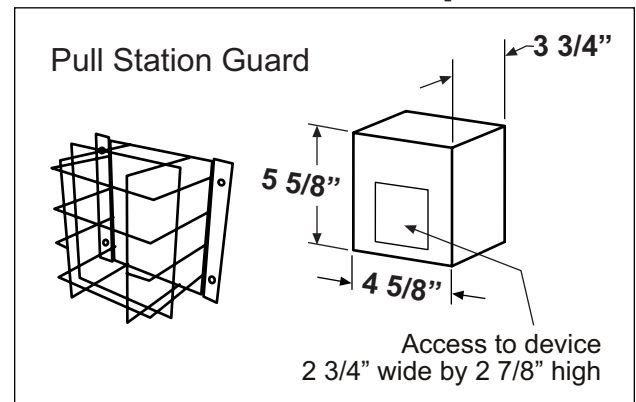
Dimensions:



Standard Features:

- Heavy 7 gauge welded steel wire construction
- High aesthetic nickel chrome finish
- Installation hardware included
- Overall dimensions: 6 7/8" wide x 6 1/2" high x 4 1/4" deep

Usable Interior Space



Ordering Information:

Part #	Description
SSU03502	PSG Pull Station Guard - chrome



ISO9001
REGISTERED



Integration Accessories

Space Age Electronics, Inc.
406 Lincoln Street
Marlboro, MA 01752-2195
www.1sae.com
800.486.1723—voice
508.485.0966
508.485.4740—fax