

**NO
EXCUSES!**



Time Device Guards

The TDG is designed to protect clocks and a variety of other devices. This durable design is engineered to protect the vital components of the building's system without interfering with the device's operation. Both style guards offer universal design with an aesthetic, durable chrome finish.

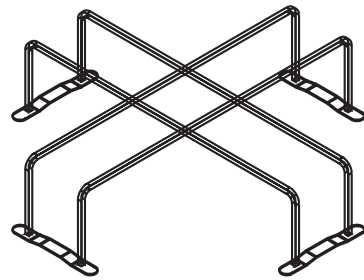
Standard Features:

4 Bar Clock Guard:

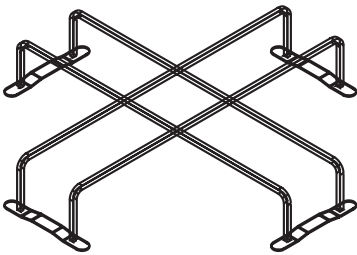
- Single piece heavy 1/4" welded bar construction
- Provides maximum strength and visibility
- Mounts securely to the wall or ceiling
- Finish: Chrome nickel plate
- Universal design to meet most applications
- All intersections welded for a solid durable design

Round Wire Clock Guard:

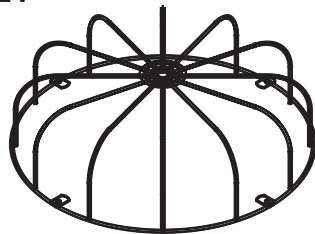
- Heavy gauge 1/4" steel wire construction
- Two piece design for easy access to devices
- Mounting ring attaches securely to the wall or ceiling
- 4 Wing nuts hold the guard to the mounting ring
- Finish: Chrome nickel plate
- Universal design to meet most applications
- All intersections welded for a solid durable design



19 1/4" Dia. x 5 1/2" Deep
4 Bar Clock Guard
SAE P/N: **SSU03520**



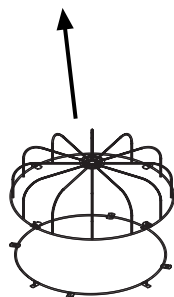
19 1/4" Dia. x 3 1/2" Deep
4 Bar Clock Guard
SAE P/N: **SSU03521**



20" Dia. x 5 5/8" Deep
Round Wire Clock Guard
SAE P/N: **SSU03522**



17" Dia. x 5 5/8" Deep
Round Wire Clock Guard
SAE P/N: **SSU03523**



Two piece
design for
easy access



ADA



ISO9001
REGISTERED



Made In U.S.A.

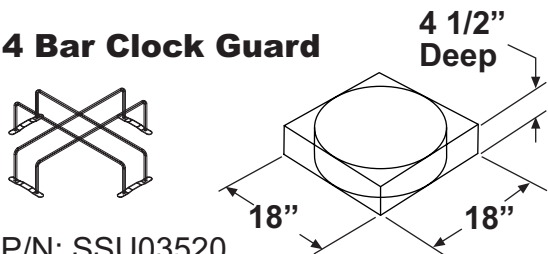
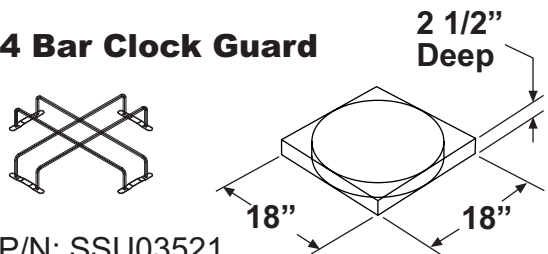
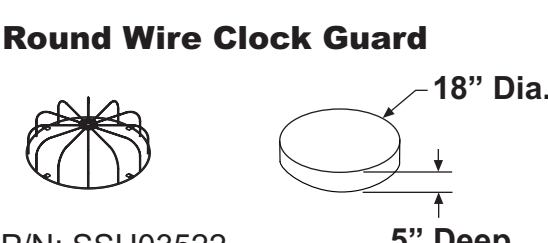
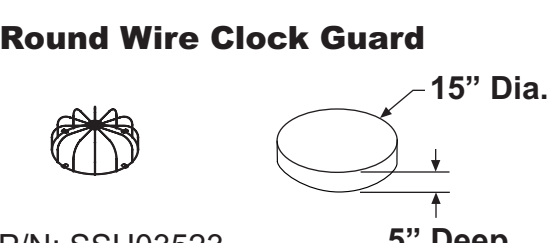
Integration Accessories

Space Age Electronics, Inc.
406 Lincoln Street
Marlboro, MA 01752-2195
www.1sae.com
800.486.1723—voice
508.485.0966
508.485.4740—fax

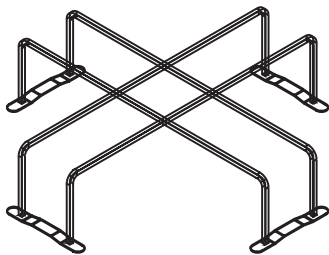
Description:

The **TDG Time Device Guards** are constructed of heavy 1/4" welded steel wire with a chrome nickel plate finish. All intersections welded for a solid durable design. Mounting hardware included.

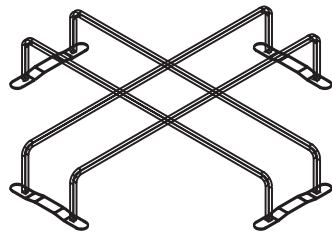
Usable Interior Space

<p>4 Bar Clock Guard</p>  <p>4 1/2" Deep</p> <p>18" 18"</p> <p>P/N: SSU03520</p>	<p>4 Bar Clock Guard</p>  <p>2 1/2" Deep</p> <p>18" 18"</p> <p>P/N: SSU03521</p>
<p>Round Wire Clock Guard</p>  <p>18" Dia.</p> <p>5" Deep</p> <p>P/N: SSU03522</p>	<p>Round Wire Clock Guard</p>  <p>15" Dia.</p> <p>5" Deep</p> <p>P/N: SSU03523</p>

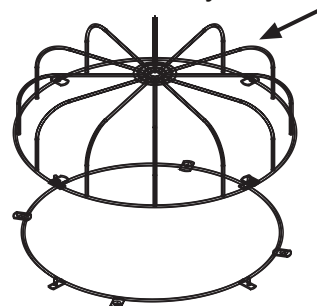
Clock Guards designed in two pieces for easy access to devices



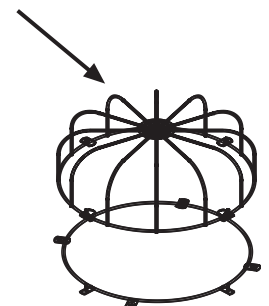
19 1/4" Dia. x 5 1/2" Deep
4 Bar Clock Guard
SAE P/N: SSU03520



19 1/4" Dia. x 3 1/2" Deep
4 Bar Clock Guard
SAE P/N: SSU03521



20" Dia. x 5 5/8" Deep
Round Wire Clock Guard
SAE P/N: SSU03522



17" Dia. x 5 5/8" Deep
Round Wire Clock Guard
SAE P/N: SSU03523

Ordering Information:

Part #	Description
SSU03520	19 1/4" x 5 1/4" 4 Bar Clock Guard - chrome
SSU03521	19 1/4" x 3 1/4" 4 Bar Clock Guard - chrome
SSU03522	20" x 5 5/8" Round Wire Clock Guard - chrome
SSU03523	17" x 5 5/8" Round Wire Clock Guard - chrome

Other alternatives are available, contact SAE for information.

Integration Accessories

Space Age Electronics, Inc.
406 Lincoln Street
Marlboro, MA 01752-2195
www.1sae.com
800.486.1723—voice
508.485.0966
508.485.4740—fax