

NO EXCUSES!



Accessory Cabinet Enclosure

The AC2 Accessory Cabinet provides an economical enclosure, ideally suited for field trouble shooting and easy maintenance of system wiring. This surface mount cabinet is fabricated from 16 gauge steel with a durable, red textured powder coat finish. It features a formed lift-a-way hinged door for ease of access and maintenance and is key locked (CAT 30) for security.

The AC2 cabinet includes an interior galvanized back plate with hole matrix configuration for mounting optional components. The back plate is raised (1/2"), for clearance of mounting hardware, as not to interfere with the back box. With the use of drill screws, which easily penetrate and securely hold components in place, the interior back plate's material allows custom configuration and installation of other equipment.

Optional Custom Lettering



- Other custom legends:
- Fire Alarm Cabinet
 - Access Control
 - Security Cabinet
 - Intercom Cabinet
 - etc.

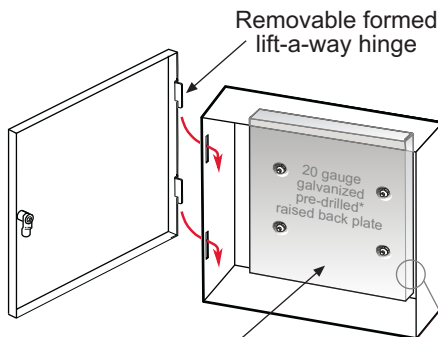
SAE P/N: SSU00656
red version - no lettering



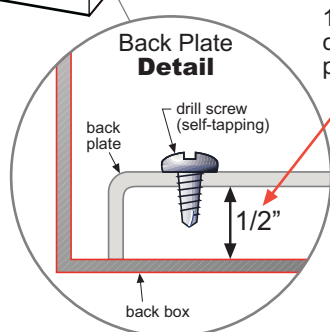
More custom cabinet colors available.

Standard Features:

- Dimensions: 14" wide x 14" high x 3 1/4" deep
- 16 gauge steel construction
- Durable red textured finish
- Lift-a-way hinge with CAT 30 keyed door lock
- 1/2", 3/4", 1", 1 1/2" and 2" EMT knockout clusters
- 20 gauge galvanized back plate with mounting hole matrix
- Internal threaded grounding lug screw in back box
- Grounding stud screw on cover
- Removable, 1/2" raised back plate, mounted on 4 studs
- Wall mounting holes



Removable back plate enables mounting components and modules easily to meet your custom configuration specifications.



1/2" mounting screw clearance from back plate to back box.



ADA



Made In U.S.A.



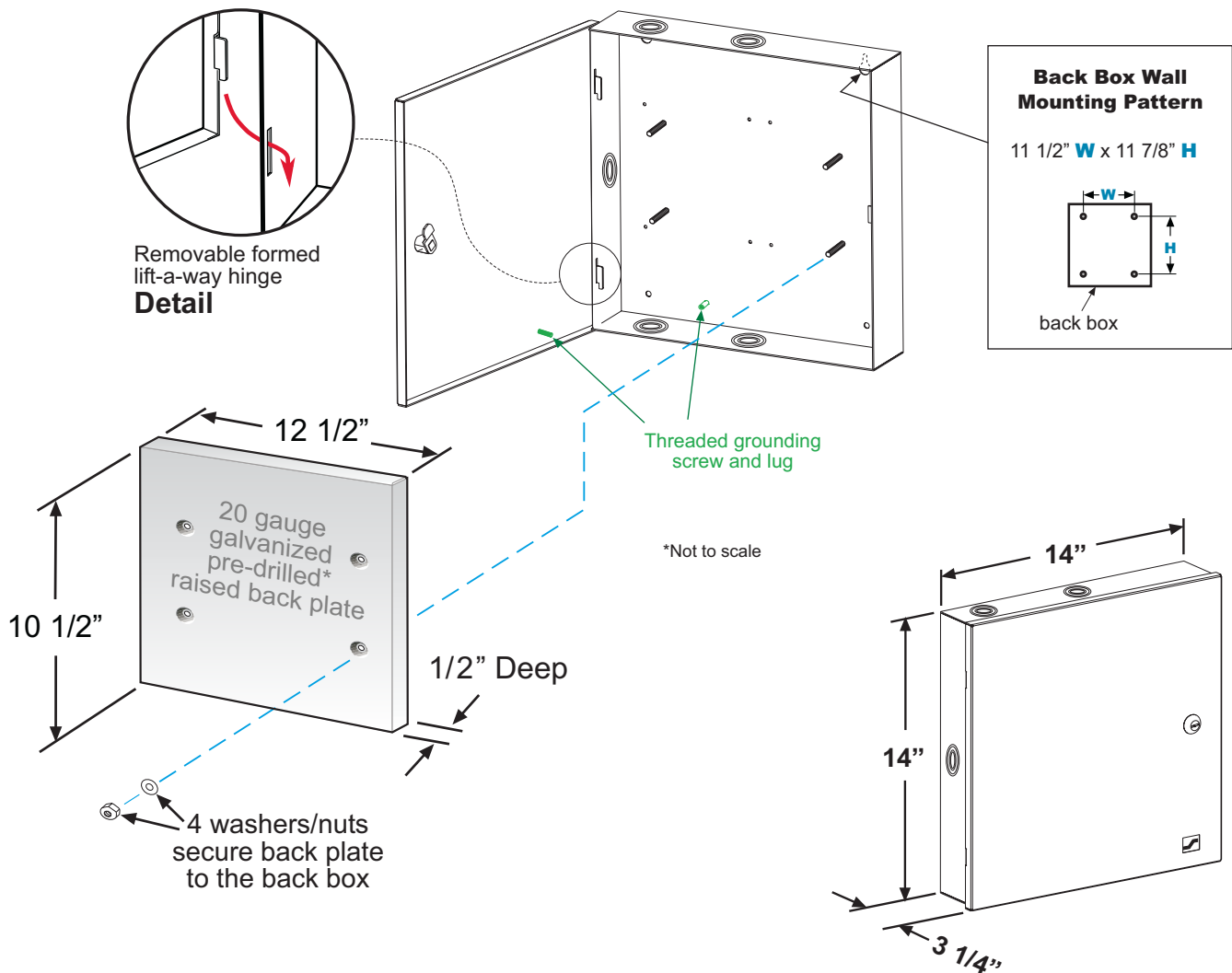
ISO9001
REGISTERED

Integration Accessories

Space Age Electronics, Inc.
406 Lincoln Street
Marlboro, MA 01752-2195
www.1sae.com
800.486.1723—voice
508.485.0966
508.485.4740—fax

Description:

The **AC2 Accessory Cabinet Enclosure**, is constructed of 16 gauge (.062 thk.) cold rolled steel and finished with a durable red textured, heat-resistant baked-on enamel finish. The front cover features a removable formed lift-a-way hinge and a high security CAT 30 keyed door lock. Custom finishes and labeling available. EMT knockout 1/2", 3/4", 1", 1 1/2" and 2" clusters embedded in cabinet. The removable back plate is a 20 gauge galvanized plate mounted on studs to the back box. The back plate clears the back box by 1/2" to accommodate for mounting hardware on the back plate. Custom equipment mounting can be easily accomplished with the use of standard hole matrix or self tapping drill screws. Cover and back box include a threaded grounding stud and lug.



Ordering Information:

Part #	Description
SSU00656	AC2 Accessory Cabinet Enclosure 14" wide x 14" high x 3 1/4" deep

Integration Accessories

Space Age Electronics, Inc.
406 Lincoln Street
Marlboro, MA 01752-2195
www.1sae.com
800.486.1723—voice
508.485.0966
508.485.4740—fax