



DTK-FPK2

Fire Alarm System Power And Dialer Surge Protection General Product Specifications

Fire Protection Kits from DITEK are designed for commercial alarm professionals specializing in fire detection systems. The FPK2 provides premium AC power and dialer protection in a convenient kit.

The DTK-120S20A protects and filters AC power. Its diagnostic LEDs indicate AC power, unit operation, fuse status, and ground presence. The two MRJ31XSCPWP telco surge protectors cover both ends of the alarm panel's dialer circuit.



DTK-FPK2

Product Description

DTK-FPK2

- 120S20A Series Installation AC Surge Protector
 - Four stages of protection, in series with the electrical supply for maximum protection
 - Provides AC power protection for alarm power supply at alarm panel
 - Fuse is user-replaceable
 - Diagnostic indicators confirms ground presence, unit function, AC power, and fuse integrity
- MRJ31XSCPWP
 - Modular RJ connection
 - Protects against over-voltage and over-current events
 - Patch cord included

Warranty (All Products): 10 Year Limited Warranty

Note: See FPK2 complete datasheet set for individual product specifications



DTK-120S20A SURGE PROTECTION



The DTK-120S20A 'Critical Load' surge protector from DITEK is a true multi-stage series hybrid design which provides the best filtering and lowest clamp levels in its class. This device meets both government and military specs for fire panel applications. A user replaceable fuse means less down time and longer service life.

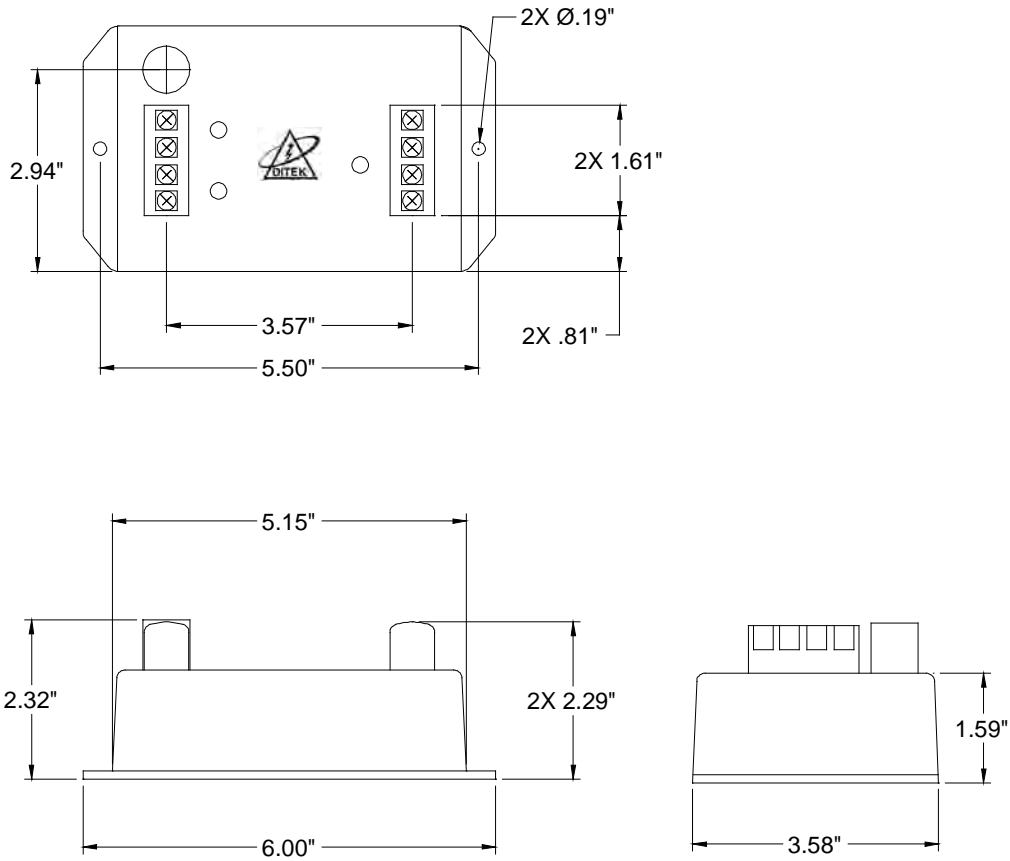
FEA TURES	BENEFITS
Series Design	Fastest response time available; Tighter clamp than parallel device
Hybrid Protection Circuitry	Four stages of protection insures maximum performance
User replaceable fusing	Less "post event" downtime
Screw Lug Termination	Speedy connect/disconnect of power wiring; Neat appearance, no wire nuts needed
Low profile design	Uses less space, fits wide variety of cabinet depths
Multiple diagnostic indicators	Monitor protection status, ground presence, ground fault and fuse status



General Specifications - 120S20A

Agency Approvals: UL 1449, Wyle Labs
 Service Voltage: 110-120 V AC
 MCOV : 130 V AC
 Continuous Current: 20 Amps
 Max. Surge Current: 39,000 Amps
 EMI/RFI Noise Filtering: >56db 100KHz - 100MHz
 Protection Modes: L ~ N, L ~ G, N ~ G
 Suppressed Voltage Rating: 500V
 Warranty: Ten Year Limited Warranty

Dimensions: 6.00" x 3.58" x 2.32" Weight: .55 lbs. Housing: ABS



DTK -31X Series ALARM DIALER SURGE PROTECTION



DTK-MRJ31XSCP-WP



DTK-1F31X



DTK-AC31X

DITEK's '31X' series of surge protectors are designed and built for professional alarm panel installers. The 1F31X protects the power and telephone line and has a center screw to secure the transformer to the surge protector and the receptacle. The MRJ31XSCP-WP is a universal "plug and play" device that protects the dialer on the alarm panel from surges on the telephone line. The AC31X is a hardwire device that is used when the transformer is remote from the panel and protects 24 volt power and the telephone line to the dialer.

FEATURES	BENEFITS
1F31X - 120 volt power and dialer protection	Easy installation when no telco ground at panel
AC31X - 24 volt power and dialer protection	Easy installation when transformer is remote from panel
MRJ31XSCP-WP - Dialer protection	Easy installation when telco ground available at panel
All self restoring components	Reduce / eliminate 'non-billable' service calls



General Specifications - 31X Series

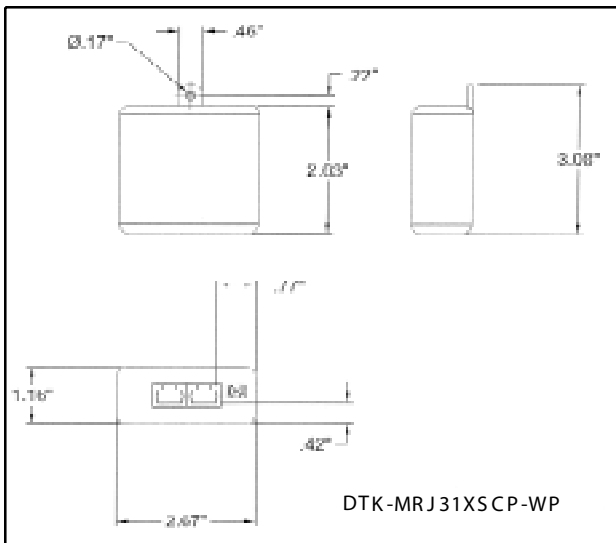
Model #		1F31X	AC31X	MRJ31XSCP-WP
Agency Approvals:		N/A	Part 68FCC Compliant	UL497B
Service Voltage:	Power	110-120V AC	24VAC	N/A
	Telco	<105V AC	<105V AC	<105V AC
MCOV:	Power	130VAC	30VAC	N/A
	Telco	130VAC	130VAC	130V AC
Continuous Current:	Power	15 Amps		N/A
	Telco	0.150 Amps	0.150 Amps	0.150 Amps
Max Surge Current:	Power	13,500 Amps	200 Amps	N/A
	Telco	240 Amps	300 Amps	9000 Amps
Protection Modes:	Power	L-N,L-G,N-G	L-G (all)	N/A
	Telco	L-G (all)	L-G (all)	L-G (all)
Connection Method	Power	NEMA5-15 plug	screw terminal	N/A
	Telco	screw terminal	screw terminal / RJ31X	RJ31X

Warranty: Ten Year Limited Warranty

Dimension - 1F31X: 2.71"x1.85"x1.25" Weight: .25 lbs Housing: ABS

Dimension - AC31X: 4" X 1.75" X 1.25" Weight: .4 ozs Housing: ABS

Dimension - MRJ31XSCP-WP: 3.08"x2.67"x1.16" Weight: 0.44 lbs Housing: ABS



DTK-AC31X

