

135°F Fixed Temperature Heat Detector 120 VAC and 9 VDC Battery Back-up

Applications

The HD135 Heat Detector is for use as an evacuation device in residential applications. Each alarm has a solid state piezo signal to warn and alert the household to the presence of threatening heat.

The HD135 alarm is designed to detect heat that results from an actual fire. Heat detectors are intended for use as supplements to smoke alarms. This unit cannot detect smoke or other toxic gases, therefore, do not rely solely on this heat detector to provide a warning of fire.

In the event AC Power fails, a 9v battery will provide proper alarm operation for a minimum of a 24-hour period.



Standard Features

- 135°F Fixed Temperature
- 90dBA Temporal Piezo Horn
- 1 Year Warranty From Date of Purchase
- Solid-State LED Condition Indicator
- Quick-Disconnect Wiring Harness
- Can interconnect to 9120/9123, 7100/7103, 710CS/7109CS and 713CS/7139CS Series
- Mounting Hardware Adapts to Standard Junction Boxes
- On-Site Maintenance Washing Program
- Low or Missing Battery Indicator
- 9 VDC Alkaline Battery
- Horn Frequency 3100Hz (Nominal)

Approvals



This symbol on the product's nameplate means it is Listed by UNDERWRITERS LABORATORIES, INC.

- BS+A/MEA (Pending)
- CSFM #7254-0569:125
- UL 539
- BFP (City of Chicago)

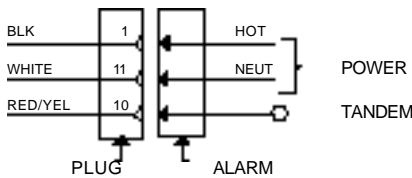
Electrical Specifications

Operating Voltage120 VAC, 60Hz
Operating Current035 amps
Operating Ambient Temp Range 0°F to 110°F
Alarm Horn Rating 90dBA at 10 ft.
Size Diameter: 6.5 in. OA (5.75 in. at Ceiling)
	Depth: 2.625 in.
Secondary Power Source Alkaline 9 VDC Battery

Model Number	Part Number	Voltage	OPTIONS			
			Local 90dBA Piezo	135°F Fixed Temp.	Tandem Up To 18 Units	9 VDC Battery Back-Up
HD135	917-0023	120 VAC/9 VDC	•	•	•	•

Wiring Diagrams

Heat Detector Wiring Diagram



CAUTION
 RED/YELLOW WIRE:
 DO NOT REMOVE
 INSULATION CAP
 UNLESS CONNECTING
 ANOTHER ALARM.

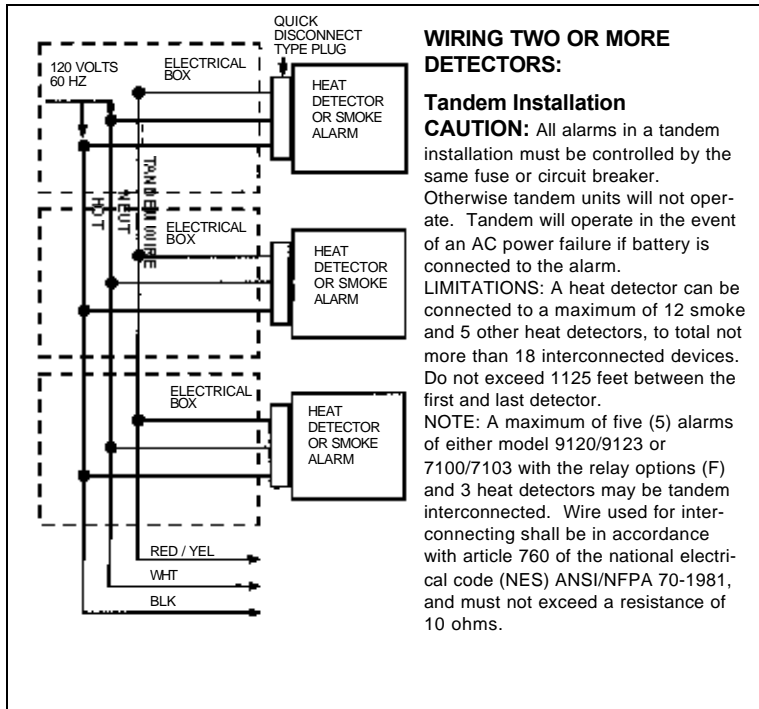
Architect & Engineering Specifications

The Heat Detector shall be a Gentex Model _____ or approved equal which shall provide at least the following features and functions.

1. Nominal rating shall be 135°F Fixed temperature.
2. The detector shall utilize a bimetal sensing element when the surrounding air temperature reaches 135°F, the unit will go into alarm.
3. The detector shall have a 9 VDC alkaline battery as a back-up in the event building power is lost.
4. The 9 VDC battery impedance shall be verified by the circuit of the heat detector.
5. The detector shall provide an indicator when the battery is low in power or high impedance or is missing.
6. A solid state piezo alarm rated at 90dBA at 10ft.
7. A visual LED monitor (condition indicator) will slow pulse in normal operation and rapid pulse in alarm.
8. The detector shall have tandem interconnect capability of up to 18 units.
9. Can be interconnected with AC detectors, Gentex 9120/9123, 7100/7103, 710CS/7109CS and 713CS/7139CS Smoke Detector Series, or other Gentex HD135 units.
10. The manufacturer shall provide other compatible heat detector models or smoke detector models with the following optional features: a) 135°F isolated thermal with normally opened contact for remote connection to local alarm or annunciator; b) 135°F integral thermal; c) auxiliary Form A/Form C relay contact for initiating remote functions and annunciation; d) relay option that is capable of activation by tandem interconnect wire. Thermal sensor shall be self-restoring.
11. Unit must be UL 539 listed for both wall and ceiling mount.
12. Unit shall also meet all requirements of the State of California Fire Marshal.

All equipment shall be completely factory assembled, wired and tested, and the contractor shall be prepared to submit a certified letter testifying to this condition.

Detectors which do not meet all of the requirements of this specification will not be considered.



WIRING TWO OR MORE DETECTORS:

Tandem Installation

CAUTION: All alarms in a tandem installation must be controlled by the same fuse or circuit breaker.

Otherwise tandem units will not operate. Tandem will operate in the event of an AC power failure if battery is connected to the alarm.

LIMITATIONS: A heat detector can be connected to a maximum of 12 smoke and 5 other heat detectors, to total not more than 18 interconnected devices. Do not exceed 1125 feet between the first and last detector.

NOTE: A maximum of five (5) alarms of either model 9120/9123 or 7100/7103 with the relay options (F) and 3 heat detectors may be tandem interconnected. Wire used for interconnecting shall be in accordance with article 760 of the national electrical code (NES) ANSI/NFPA 70-1981, and must not exceed a resistance of 10 ohms.

24 units per carton
 34 pounds per carton

