

Description: 20 AWG RG59/U COAX + 18/2 CL2  
 Compliance: UL13 & 444, NEC Article 820

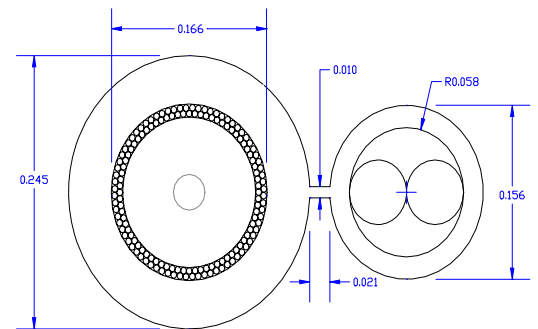
#### Construction:

Conductors 20 AWG Solid Bare Copper center conductor  
 2 - 18 AWG 16/30 Stranded Bare Copper

Insulation	<u>Coax</u>	<u>18 AWG 2/C</u>
Type	Foamed Polyethylene	Polypropylene
Color	White	Blk, Red
Thickness	0.057" nom.	0.006" nom.
Diameter	0.145" nom	0.058" nom.
Lay Length	---	2.25" nom.

Braid  
 Strands 0.005" nom. Bare Copper  
 % Coverage 95 nom.

Jacket	<u>Coax</u>	<u>18 AWG 2/C</u>
Type	PVC	
Color	Blk or Wht	
Thickness	0.034" nom.	0.020" nom.
Diameter	0.245" nom.	0.156" nom.
Overall Diameter	0.421 x 0.245" Nom.	



Legend (Ink Print) **HONEYWELL P/N 5013 RG 59/U 20 AWG CCTV PREMIUM + 18 AWG 2/C 3038058 (ETL) (RoHS) CL2 75C SUN. RES. W/O# XXXXXX-XXX XXXX FT CAMERA/ZONE A B C D E F 1 2 3 4 5 6 7 8 9**

#### Properties

Voltage Rating	300V
Temperature Rating	-20 to 75 °C
Capacitance	17 pf/ft nom.
Impedance	75 Ohms nom.
Resistance (Conductor)	10.9 Ohms/M' at 20°C
Resistance (Shield)	2.6 Ohms/M' at 20°C
Attenuation (db/100')	0.2 at 1 MHz, 5.9 at 400 MHz, 10.8 at 1000 MHz
Flame Rating	UL Vertical Tray