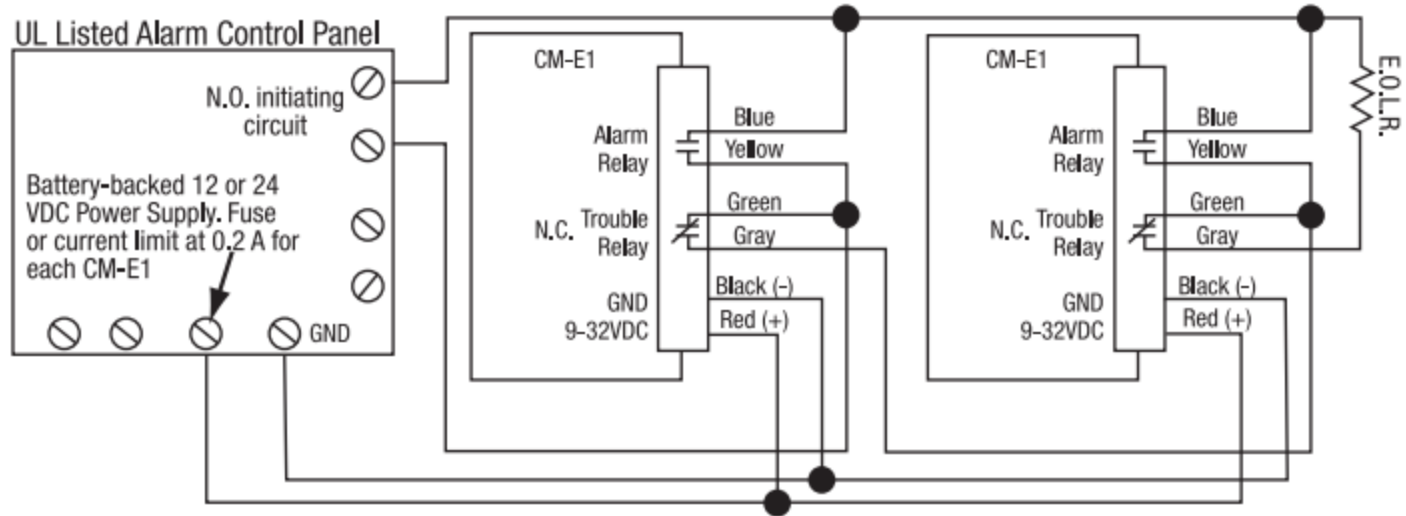


**OLD Wiring:** Blue & Yellow Alarm are Contacts, Green & Gray are Trouble Contacts



**New Wiring:** Blue & Gray Alarm are Contacts, Gray and Green are Trouble Contacts

