



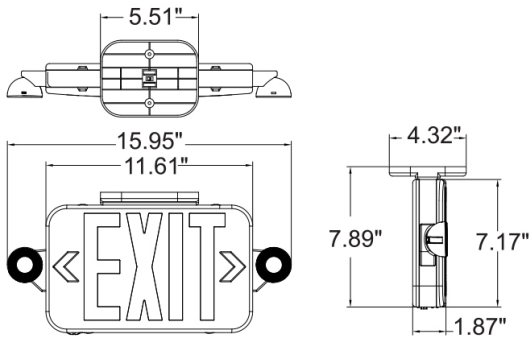
Catalog#: EECMPL
MICRO LED EMERGENCY LIGHT/EXIT SIGN COMBO UNIT WITH BATTERY BACK-UP

Category Exit Sign & Emergency Light Combo
Page 14 (Exit & Emergency Lighting Catalog)

Features:

- Dual-Voltage Input 120/277VAC Operation
- UL Listed for Damp Location
- Long-lasting, Energy Saving LED Lamps
- 90 Minutes Minimum Emergency Operation
- Injection-Molded, 5VA Flame Retardant, High Impact, Thermoplastic
- Round Fully adjustable LED Lamp Heads packaged inside Exit Sign Housing for petite packaging
- Universal Mounting Pattern
- Canopy for ceiling mounting included
- Easy Snap-out Chevrons Directional Indicators
- Extra Faceplated included for field conversion to Double-Face
- LED indicator light alerts occupant of battery level
- Push to Test Switch
- Maintenance free 3.6V, NiCd Battery
- Fully automatic operation

Line Drawings:



Certifications:



CAT NO	Housing Color	Letter Color	Options

