



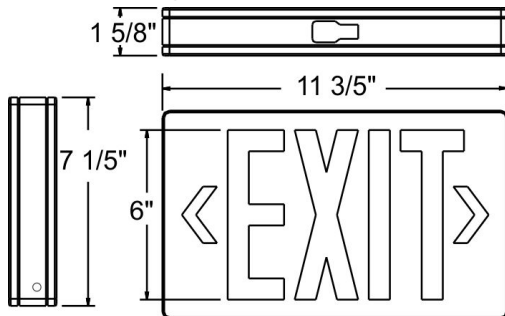
Catalog#: ESBLM
MICRO THERMOPLASTIC LED EXIT SIGN WITH BATTERY BACK-UP

Category Exit Signs
Page F8 9 (Exit & Emergency Lighting Catalog)

Features:

- Dual-Voltage Input 120/277VAC Operation
- UL Listed for Damp Location
- Long-lasting, Energy Saving LED Lamps
- 90 Minutes Minimum Emergency Operation
- Injection Molded, 5VA Flame Retardant, High Impact, Thermoplastic
- Universal Mounting Pattern
- Canopy for ceiling or end mounting included
- Easy Snap-out Chevrons Directional Indicators
- Extra Faceplate included for field conversion to Double-Face
- Push to Test Switch
- Maintenance free 2.4V NiCd Battery
- Fully automatic operation

Line Drawings:



Certifications:



CAT NO	Housing Color	Letter Color
ESBLM	W (White) B (Black)	R (Red) G (Green)

