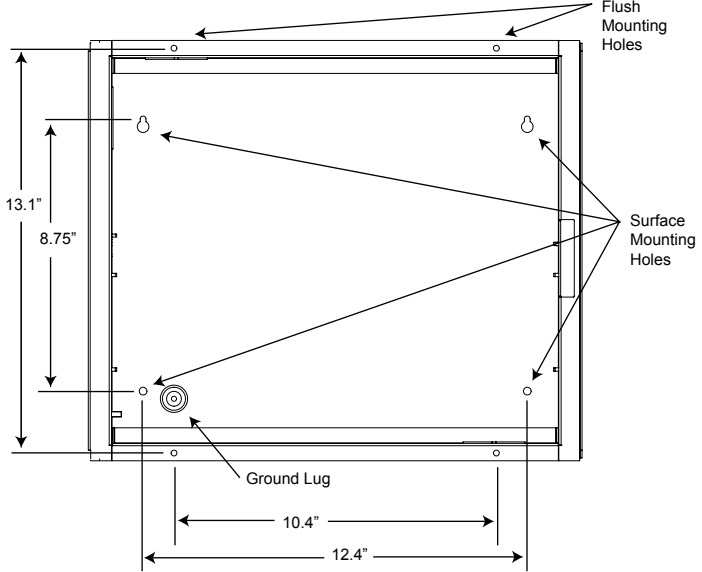


Installation Instructions

Records Parts and Battery Box

Front View Without Door



Installation Procedure ACE-13

- Remove lift-away cover from back box and set aside.
- Place back box on wall where it is to be mounted and mark the location of holes to mount box to the wall.
- Drill appropriate size holes in wall for appropriate mounting screws being used, (screws not supplied).
- Mount back box to wall with appropriate hardware (not supplied).
- Replace cover onto unit.

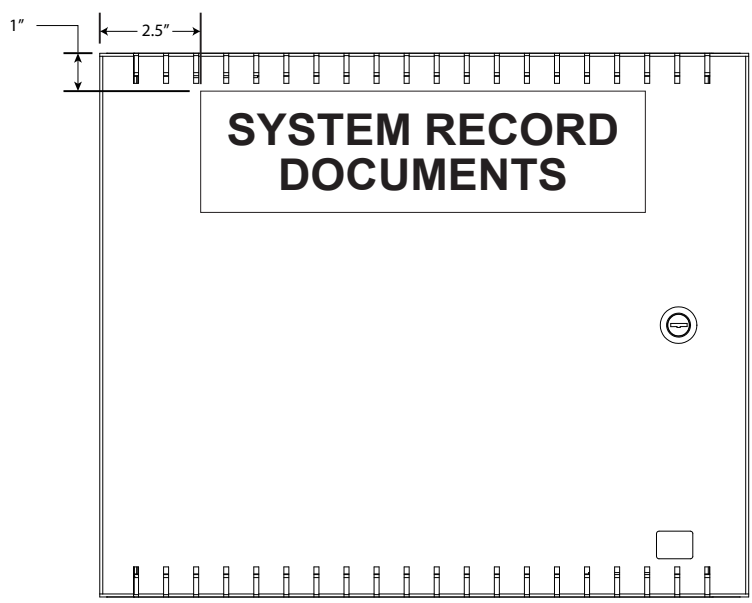
.LT10659 Rev. A

Equipment Supplied

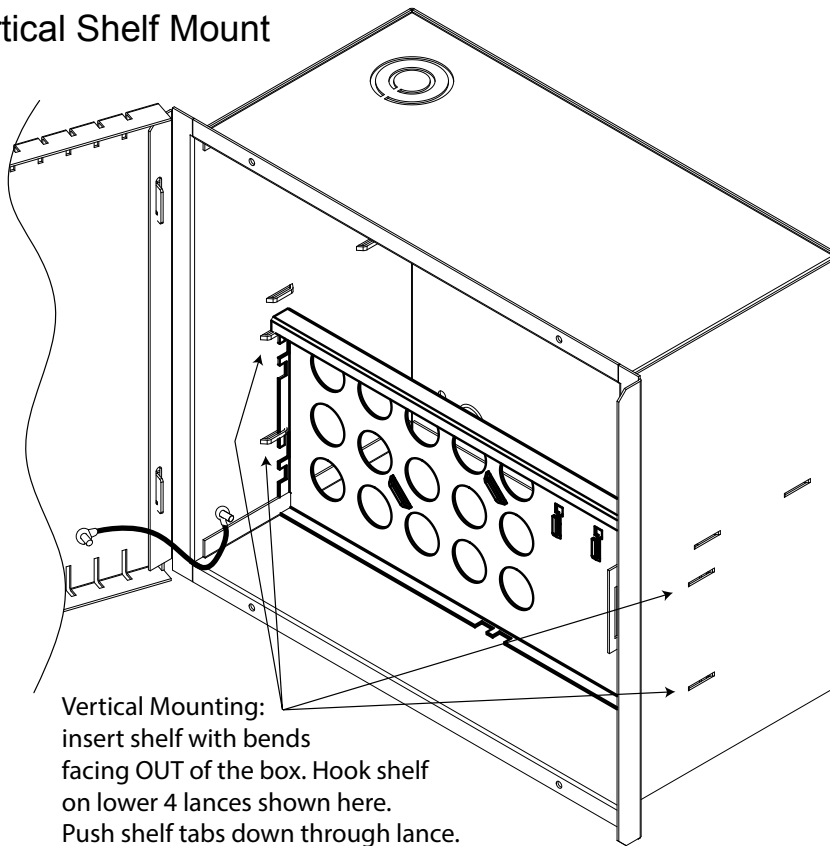
- (1) Cover with inner sticker for notes on door.
- (1) Ground Strap and (2) 8-32 flange nuts.
- (1) Back box
- (1) Internal Shelf
- (2) Reflective Front Label

SYSTEM RECORD DOCUMENTS
 FIRE ALARM BATTERY CABINET
 FIRE ALARM SPARE PARTS

Aligning Reflective Front Label:
 Install at 2.5" from right or left edge and 1" from the top

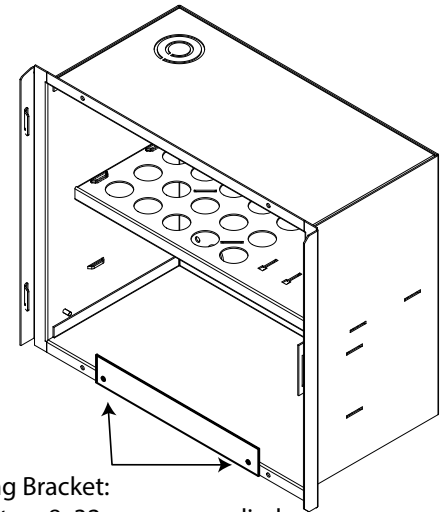


Vertical Shelf Mount



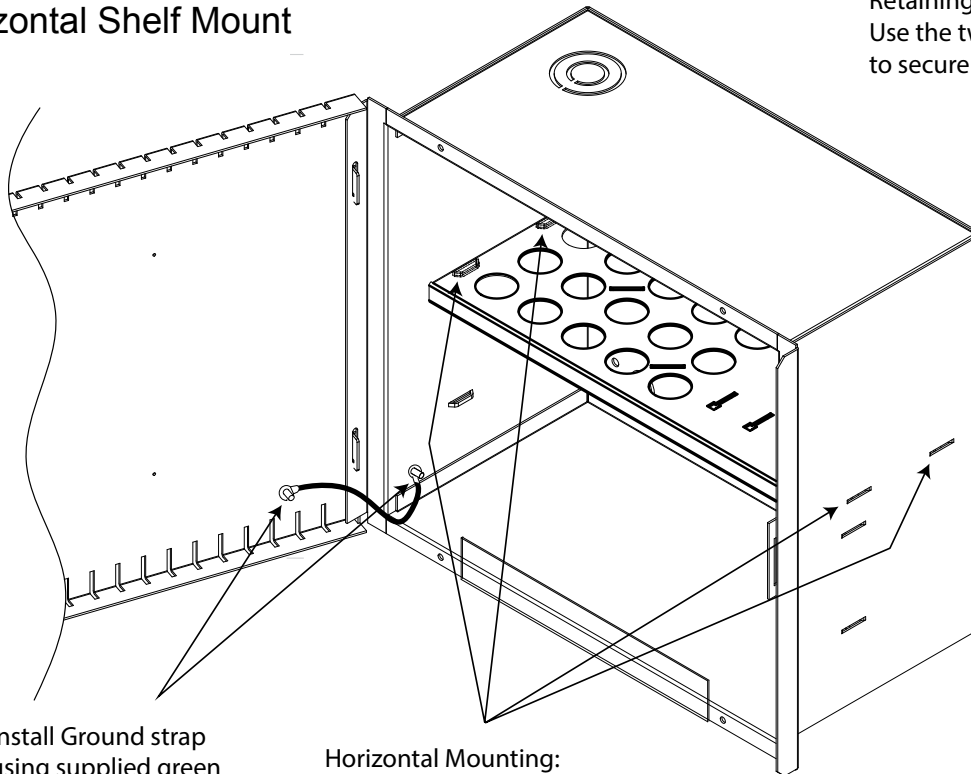
Vertical Mounting:
insert shelf with bends
facing OUT of the box. Hook shelf
on lower 4 lances shown here.
Push shelf tabs down through lance.

Battery Retainig Bracket



Retaining Bracket:
Use the two 8x32 screws
to secure bracket to box.

Horizontal Shelf Mount



Install Ground strap
using supplied green
wire and 8-32 nuts.

Horizontal Mounting:
insert shelf with bends
facing DOWN. Hook shelf
on upper 5 lances (there is one lance
in the back of the box). Push shelf tabs
down through lances.