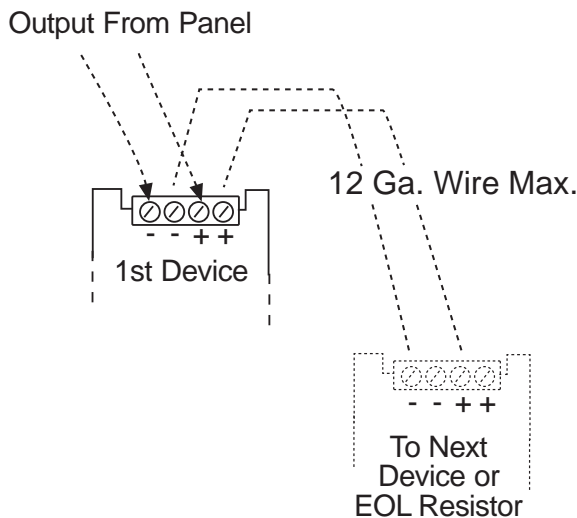


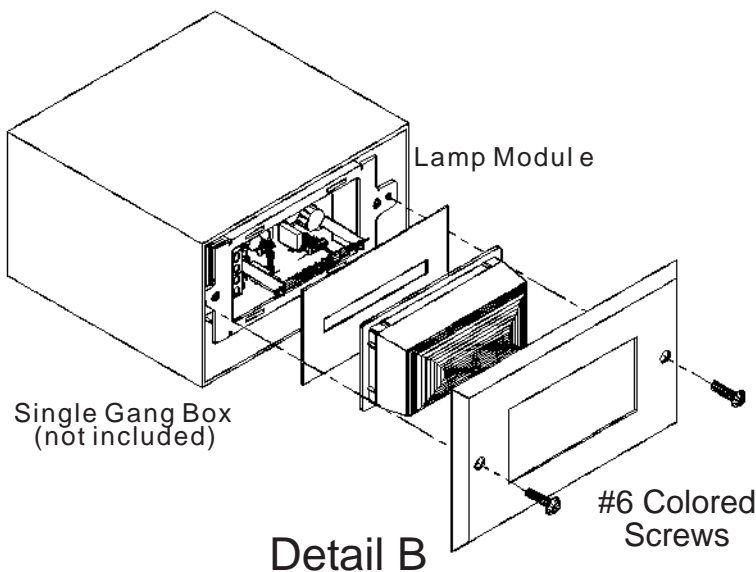
Installation Instructions

Infinity IAV Devices

Strobes, Lamps & Horns



Detail A



Detail B

Installation and wiring should be performed by qualified personnel only - Equipment damage and/or malfunction may result from improper installation. Remove all power from the system until the installation is complete and ready for testing. All work of any kind shall be performed to meet the requirements of any and all local, state and federal codes and/or standard set by the authority having jurisdiction.

This package includes all necessary parts except the IGB mounting box, IGP cover and mounting screws (sold separately). Utilize a standard single gang mounting box (1.5" deep minimum is recommended). One gang is required for each module to be installed. A standard *Infinity* style cover plate is required to cover the assembly.

Instructions:

1. Mount the box securely into the wall.
2. Connect conduit and pull wiring as required.
3. Terminate wires as required for your application.
4. Refer to the rating and load chart.
5. Attach the frame to the box using frame screws #6s (see Detail B)
6. Remove the paper lamp protector and install white slotted reflector (see Detail B).
7. Multi gang installation: Repeat steps 5 thru 6 until all modules are wired and installed.
8. Review and confirm field wiring. Damage and/or malfunction can result from improper wiring and/or set up.
9. Place cover and lens assembly over the lamp assembly and attach to box with colored screws.
10. Power up system to test for proper operation.
11. Horn installation eliminate step 6 and do not install a lens as stated in step 9.

Space Age Electronics, Inc.
 www.1sae.com
 800.486.1723 voice
 508.485.0966 direct
 508.485.4740 fax

Ratings and Load Chart:

Part number	Description	Current Draw	Flash/Minute
IAVSTR24	Zenon Strobe	115mA @ 24VDC	60
IAVSTR12	Zenon Strobe	155mA @ 12VDC	60
IAVST120	Zenon Strobe	30mA @ 120VAC	60
IAVSLM24	Steady Incandescent	96mA @ 24VDC	NA
IAVSLM12	Steady Incandescent	125mA @ 12VDC	NA
IAVSL120	Steady Incandescent	50mA @ 120VAC	NA
IAVFLM24	Flashing Incandescent	96mA @ 24VDC	60
IAVFLM12	Flashing Incandescent	125mA @ 12VDC	60
IAVFL120	Flashing Incandescent	50mA @ 120VAC	60
IAVHORN24	Infinity Mini Horn	25mA @ 24VDC HI	NA
IAVHORN24	Infinity Mini Horn	2.5mA @ 24VDC LO	NA
IAVHORN12	Infinity Mini Horn	73mA @ 12VDC HI	NA
IAVHORN12	Infinity Mini Horn	2.7mA @ 12VDC LO	NA

None of the above are synchronized.