

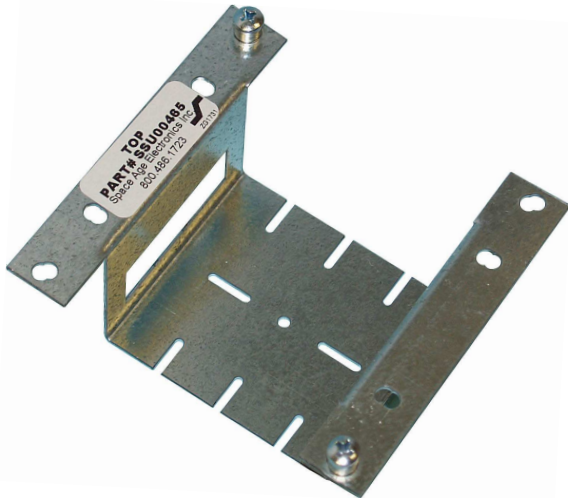
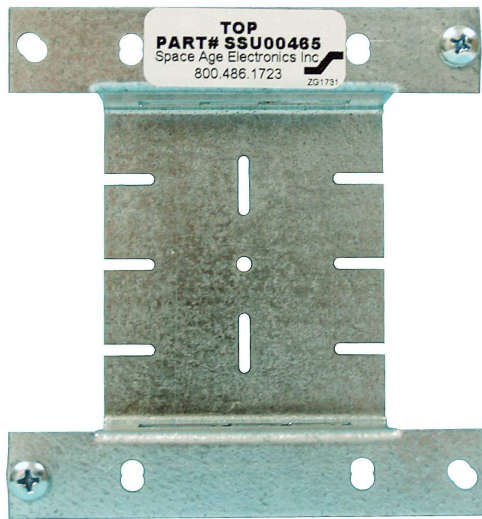
**NO  
EXCUSES!**



# BB4

## Box Bracket 4" Square

The BB4 Box Bracket is a 4" square mounting bracket with multiple mounting capabilities. This innovative bracket allows for either stand alone flush, 4" square box or double gang mounting. Optional mounting accessories are most MR style relays, 2 PAM style relays, or the newest Space Age Electronics TTS Tool-Less Terminal Strip making installation a snap. The BB4 is designed to improve installation integrity and improve overall system maintenance.



### Standard Features:

- Sturdy 18 gauge Galvanized construction
- Mounting pattern for either stand alone flush, 4" square or double gang back box
- (2) 8/32 4" Sq back box mounting screws
- (2) 6/32 Two gang mounting screws
- (2) #8 wood drill screws
- (2) plastic screw anchors

SAE P/N: SSU00465

ISO9001  
REGISTERED



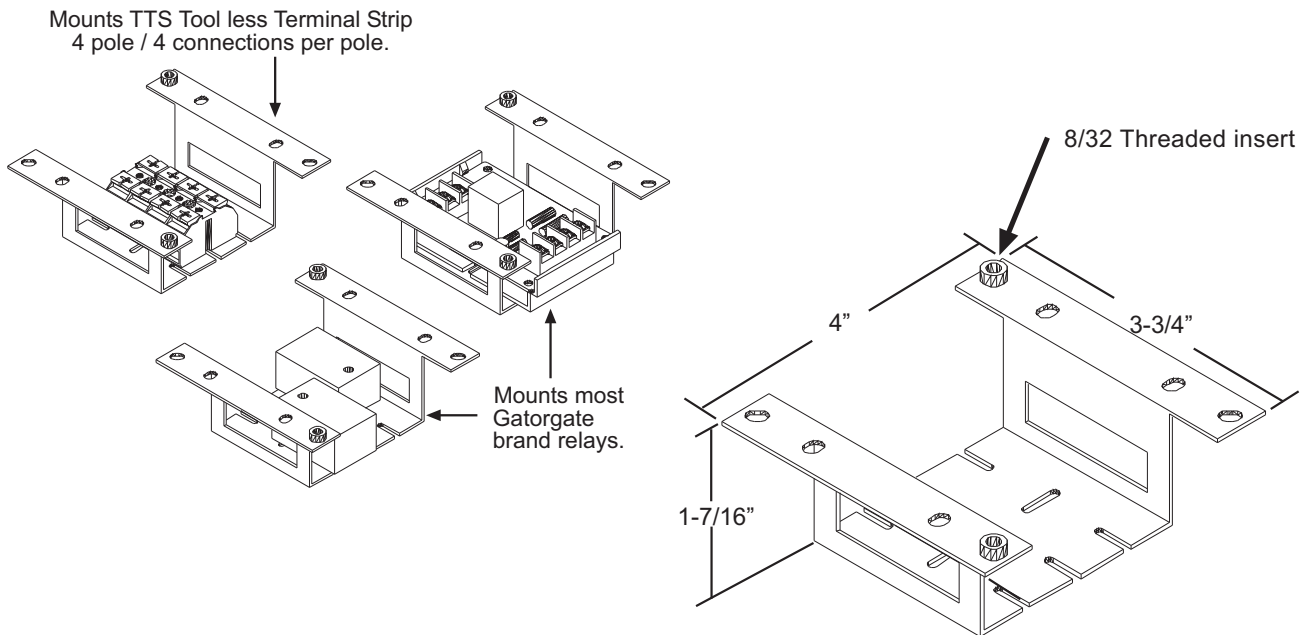
Made In  U.S.A.

#### Integration Accessories

Space Age Electronics, Inc.  
www.1sae.com  
**800.486.1723** voice  
508.485.0966 direct  
508.485.4740 fax

## Description:

The **BB4 Box Bracket 4" Square** consists of one bracket, made from 18 gauge galvanized steel construction with several mounting patterns allowing it to mount inside either a 4" square box, a double gang back box or as a flush stand alone bracket. The overall bracket dimensions are 3-3/4" W X 4" H X 1-7/16" D. The bracket has multiple slots/holes to accommodate most Gatorgate brand relays or (1) TTS Tool-Less Terminal Strip (relays & terminal strips to be ordered separately). Mounting hardware is provided.



## Specification:

The BB4 Box Bracket 4" Square will be made of 18 gauge galvanized steel. It will be capable of mounting surface, flush, double gang or to any standard 4" square electrical box. It shall measure 3-3/4" W X 4" H X 1-7/16" D. There will be mounting options to accommodate GatorGate brand relays or the TTS Tool-Less Terminal Strip.

## Ordering Information:

Part #	Description
SSU00465	BB4 Box Bracket 4" Square

Space Age Electronics, Inc.  
www.1sae.com  
**800.486.1723** voice  
508.485.0966 direct  
508.485.4740 fax