



SD500-LIM Line Isolator Module



Isolate SLC loop problems without losing the entire loop.

Isolate a short circuit wiring fault on a SLC loop using a SD500-LIM. Normally if a short on the SLC loop occurs, communication on the loop can be disrupted. When isolator modules are used and a short occurs on the SLC loop, it will be detected as a trouble but all the SLC devices that are protected by a line isolator module will continue to operate.

SD500-LIM Line Isolator Module

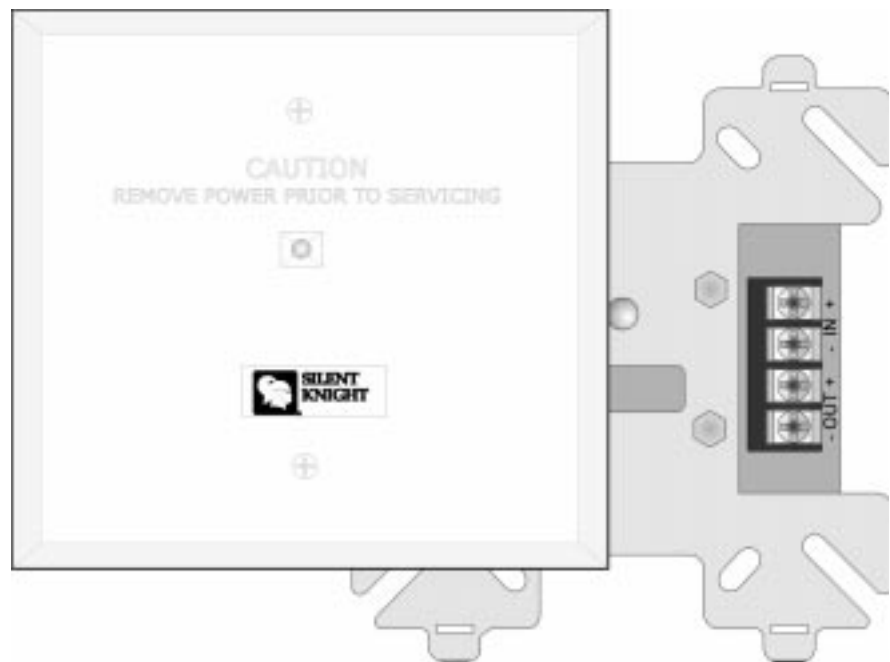
The SD500-LIM Line Isolator Module is compatible with Silent Knight's Model 5820XL Addressable Fire control panel.

The SD500-LIM can be used on Style 7 (Class A), and Style 4 (Class B) wiring configurations.

The SD500-LIM mounts in a standard dual gang or 4" square electrical box.

Specifications

Operation Temperature:	32° - 120°F (0° - 49°C)
Dimensions:	
Length:	4-7/8" (12.38 cm)
Width:	4-7/8" (12.38 cm)
Depth:	7/8" (2.22 cm)
Operating Voltage:	32 VDC
Battery Current Draw During AC Loss:	.092 mA
SLC Current:	.092 mA
Max. SLC Loop Resistance:	50Ω



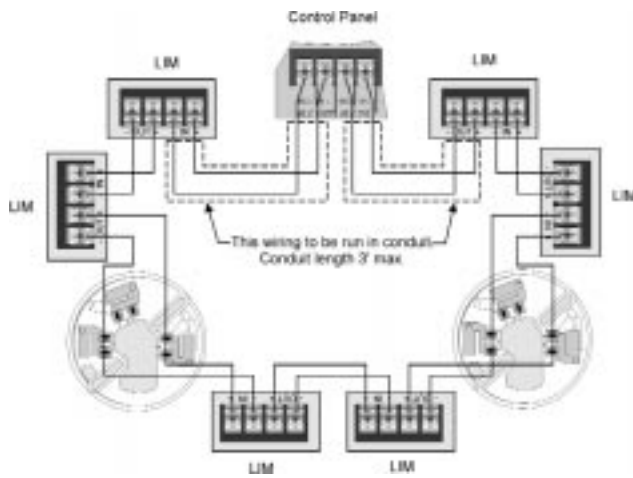
Features

- Isolates short circuits on an SLC loop.
- Protects other modules on the loop so other devices continue to operate.
- Can be used on Style 7 (Class A), and Style 4 (Class B) wiring configurations.
- Mounts in a standard dual gang or 4" square electrical box.
- UL Listed

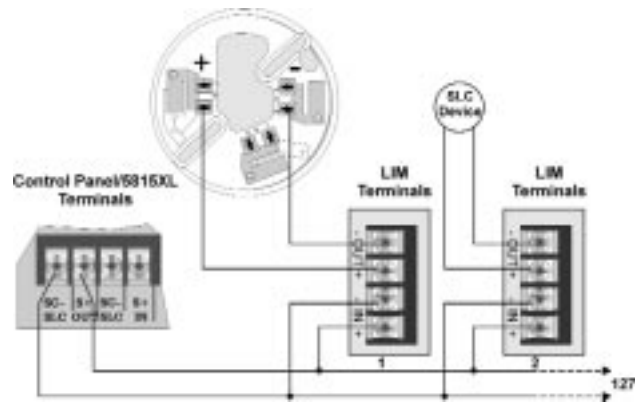




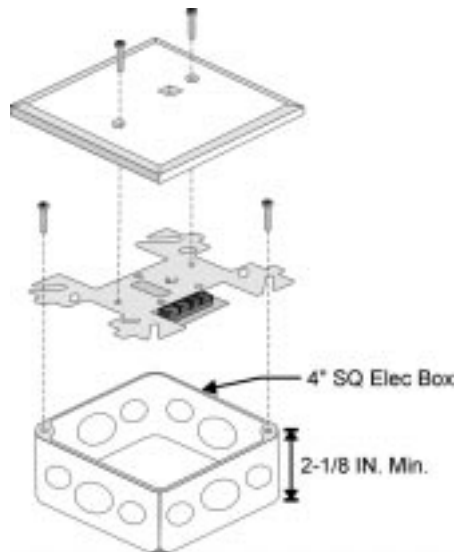
SD500-LIM Line Isolator Module



Style 7 (Class A)



Style 4 (Class B)



Mounting



**SILENT
KNIGHT**

7550 Meridian Circle, Maple Grove, MN 55369-4927

800-446-6444 or in Minnesota 612-493-6435

FAX: 612-493-6475

World Wide Web: <http://www.silentknight.com>

MADE IN AMERICA

FORM# 350222, Rev.11/99

Copyright © 1999 Silent Knight