

STI BREAK GLASS STOPPERS®

For Places Where a "Break Glass" Cover is Specified Such as Unsupervised Areas

Accepted by fire marshals, these versions of the world famous STI Stopper® II are designed for areas where a "break glass" cover is specified, such as unsupervised areas. Each device consists of a red polycarbonate cover, mounting frame, a pane of single-strength clear glass (easily replaced when broken), a glass-breaking bar and anchors for installation.

Select From Any of Three Versions

Two models are available for fire, the smaller STI-6100 and the larger STI-4100. A spacer (STI-3100-R) is available for the STI-4100 to add 2 inches of depth in order to accommodate surface mounted conduit installations. A third "generic" model (STI-6700) is available to cover devices other than manual pull stations. The same size as the STI-6100, it includes a wall mount hanging clip for keys, etc. This model for non-fire applications simply says "BREAK GLASS".



NOTE: Glass is clear — only appears dark for photo purposes.

Features

- Housing is molded of super tough polycarbonate material.
- Aesthetically appealing.
- Fire alarm remains clearly visible and accessible.
- Lifetime guarantee on polycarbonate housing against breakage and damage in normal use.
- Fast, easy installation.
- Glass replacement is simple. Suggestion: Order extra panes with each unit, for immediate replacement.
- Accepted by many fire marshals. Obtain local fire marshal approval prior to installation.
- Polycarbonate rated -40°F to 240°F (-40°C to 116°C).



Safety Technology International, Inc.

2306 Airport Road • Waterford, Michigan 48327-1209

Phone: 248-673-9898 • Fax: 248-673-1246 • Toll Free: 800-888-4784 • E-mail: info@sti-usa.com • Web: www.sti-usa.com

Europe Branch Office • Unit 49G Pipers Road • Park Farm Industrial Estate • Redditch • Worcestershire • B98 0HU • England

Tel: 44 (0) 1527 520 999 • Fax: 44 (0) 1527 501 999 • Freephone: 0800 085 1678 (UK only) • E-mail: info@sti-europe.com • Web: www.sti-europe.com

STI BREAK GLASS STOPPERS®

Dimensions and Technical Information

Models Available

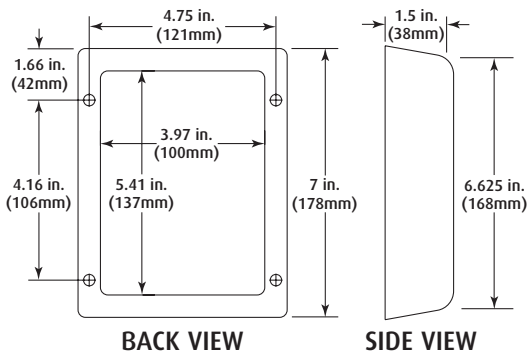
STI-4100	Break Glass Stopper - large
STI-4130	Kit containing both STI-4100 and STI-3100-R
STI-6100	Break Glass Stopper - small
STI-6700	Break Glass Stopper Keys Under Glass
STI-3100-R	2" Conduit Spacer (red) for STI-4100
SUB-08	Replacement Break Glass Tool
SUB-09	Replacement Glass for STI-6100
SUB-10	Replacement Glass for STI-4100
SUB-67	Replacement Glass for STI-6700 Reads "Break Glass"
STI-6702	Tamperproof Screw Kit
STI-1280	Backplate for STI-4100

Accessories

Several accessories are available for the Break Glass Stopper. They include a polycarbonate mounting backplate (recommended for all installations with irregular mounting surfaces), additional spacers for stations with greater depth, a heater kit to protect sensitive equipment in colder climates, tamperproof screws and conduit spacer (STI-4100 only).

NOTE: Local fire marshal approval should be obtained prior to installation.

STI-6100 and STI-6700



STI-4100

