

# STI BOPPER STOPPER®

## Smaller-size Cover to Protect Everything From Electrical Outlets to Push Buttons

Inexpensive and highly durable, this hinged cover lives up to its name and can be used in a wide range of applications. Bopper Stopper can take hard knocks in stride while protecting digital keypads, electrical outlets, smaller-size pull stations, biometrics and push buttons to name just a few. Both the cover and its hinges are molded of super tough polycarbonate material. The device features a stainless steel torsion spring to keep the cover closed. Bopper Stopper comes complete with installation screws and gasket.

## Carries a Lifetime Guarantee

As all STI protective covers, Bopper Stopper is backed by a lifetime guarantee against breakage and damage in normal use. It is also highly cost effective and easy to install.



STI-6518



STI-6520



STI-6522

## Features

- Molded from super tough polycarbonate material.
- Stainless steel torsion spring maintains the cover in a closed position.
- Protects against both vandalism and accidental damage.
- Cover is backed by a lifetime guarantee against breakage in normal use.
- Comes complete with mounting hardware and gasket.
- Fast, easy installation.
- Its many uses include protecting push button units, smaller-sized pull stations, keypads, electrical outlets and shutdown switches.
- Gasket replacement recommended after five years.
- Polycarbonate rated -40°F to 120°F (-40°C to 49°C).
- Helps stop ice and snow from making keypad units difficult to operate.



## Safety Technology International, Inc.

2306 Airport Road • Waterford, Michigan 48327-1209

Phone: 248-673-9898 • Fax: 248-673-1246 • Toll Free: 800-888-4STI • E-mail: [info@sti-usa.com](mailto:info@sti-usa.com) • Web: [www.sti-usa.com](http://www.sti-usa.com)

Europe Branch Office • Unit 49G Pipers Road • Park Farm Industrial Estate • Redditch • Worcestershire • B98 0HU • England

Tel: 44 (0) 1527 520 999 • Fax: 44 (0) 1527 501 999 • Freephone: 0800 085 1678 (UK only) • E-mail: [info@sti-europe.com](mailto:info@sti-europe.com) • Web: [www.sti-europe.com](http://www.sti-europe.com)

# STI BOPPER STOPPER®

Dimensions and Technical Information

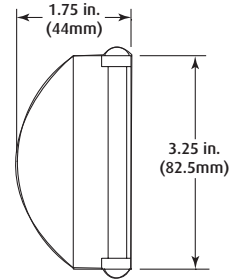
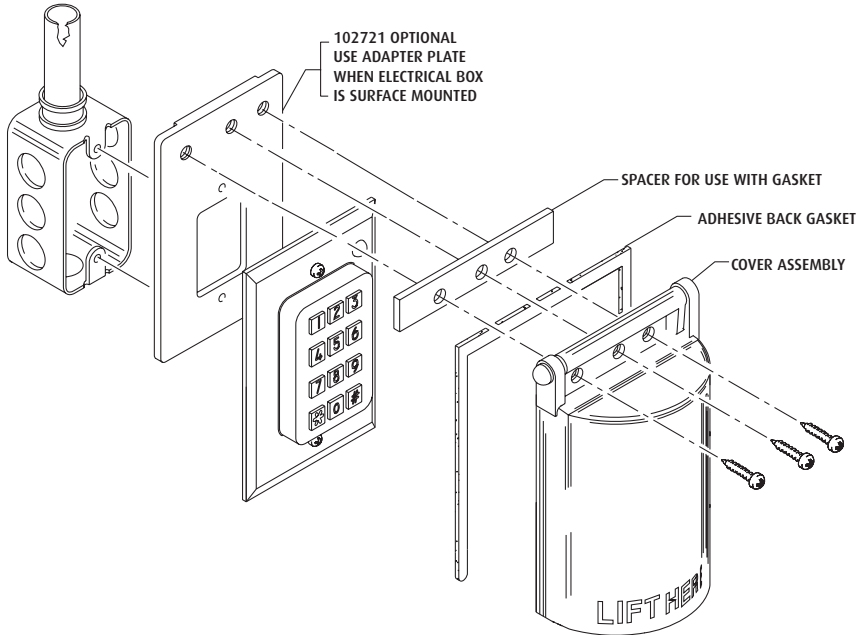
Model Available

- STI-6518** Bopper Stopper with spring loaded hinge - clear
- STI-6520** Bio Protector - identification reader cover, enclosed - smoke color
- STI-6521** Bopper Stopper for keyless lock, open - smoke color
- STI-6522** Bopper Stopper

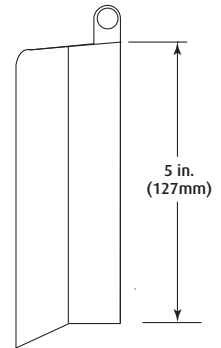
Approvals

- Bopper Stopper (STI-6518 only) has been tested and approved or listed by:
- UL/cUL No. S2466 (Over fire alarm stations only)
  - UL/cUL No. S7255 (Over misc. signaling devices)
  - ADA Compliant
  - CSFM Approved for use over STI fire push button - indoors only

## STI-6518

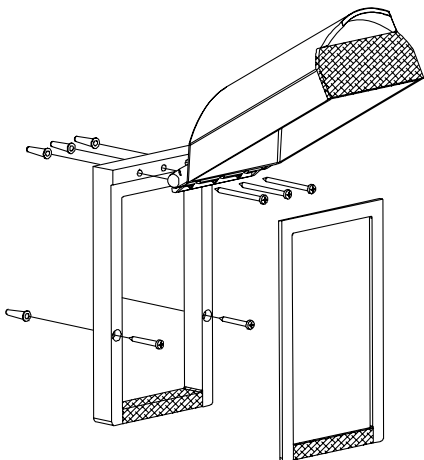


TOP VIEW

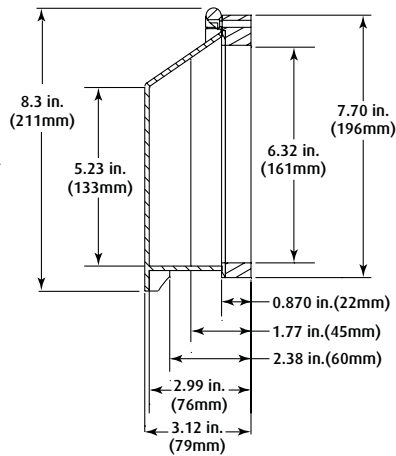


SIDE VIEW

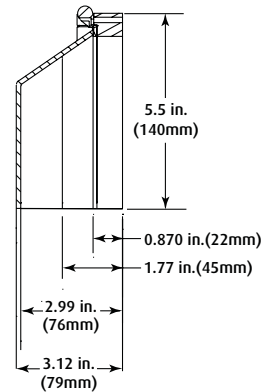
- STI-6520
- STI-6521
- STI-6522



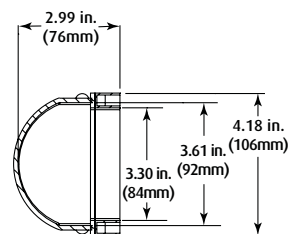
HATCHED SECTION REMOVED AT FACTORY FOR STI-6521



SIDE VIEW  
STI-6520  
STI-6521



SIDE VIEW  
STI-6522



END VIEW