

STI HEATED POLYCARBONATE ENCLOSURES

Heated Covers Help Protect Electronic Devices from Vandalism and Severe Environments

These covers are ideal for protecting a wide range of devices, components and sensitive units from vandalism and accidental damage as well as weather, dirt, dust and grime. Covers are designed to maintain a temperature above freezing which allows the protected unit to be installed outdoors, in freezers, unheated warehouses or storage units. The radiant heat plate prevents LCD displays from becoming sluggish or freezing and operates on 12, 16.5 or 24 volts. The enclosures include an external thumb or key lock and have a choice of two enclosed backboxes.

How it Works

The radiant heat plate cycles as required to sustain a uniform temperature inside the enclosure. It has three thermostats; a control thermostat, over temperature safety thermostat and a low temperature warning that can connect to a supervisory panel. This allows outdoor rated electronics to be protected from extreme temperatures.



STI-7510F-HTR



STI-7511A-HTR

Features

- Protection for large units against physical damage, dust, grime and severe environments.
- Allows electronic devices to be installed outdoors, in freezers, unheated warehouses or storage units.
- Enclosure offers three thermostats; a control thermostat, over temperature safety thermostat and a low temperature warning that can connect to a supervisory panel.
- Choice of external thumb or key lock.
- The radiant heat plate prevents LCD displays from becoming sluggish or freezing.
- Mounting hardware and gaskets included.
- Available with a choice of two enclosed backboxes.
- Includes 16.5VAC, 40VA Class 2 auto resetting transformer.
- Backed by a lifetime guarantee against breakage in normal use (one year on electronics).



Safety Technology International, Inc.

2306 Airport Road • Waterford, Michigan 48327-1209

Phone: 248-673-9898 • Fax: 248-673-1246 • Toll Free: 800-888-4784 • E-mail: info@sti-usa.com • Web: www.sti-usa.com

Europe Branch Office • Unit 49G Pipers Road • Park Farm Industrial Estate • Redditch • Worcestershire • B98 0HU • England

Tel: 44 (0) 1527 520 999 • Fax: 44 (0) 1527 501 999 • Freephone: 0800 085 1678 (UK only) • E-mail: info@sti-europe.com • Web: www.sti-europe.com

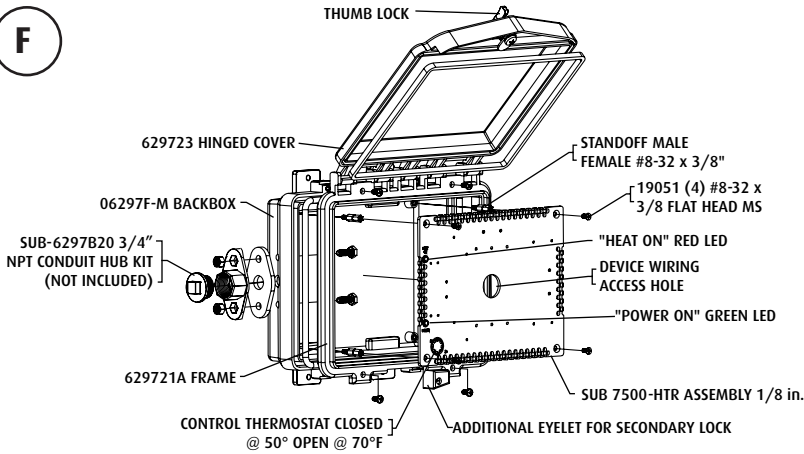
STI HEATED POLYCARBONATE ENCLOSURES

Dimensions and Technical Information

Models Available

STI-7510A-HTR	Cover with heater, external key lock and enclosed deep backbox
STI-7510F-HTR	Cover with heater, external key lock and enclosed backbox
STI-7511A-HTR	Cover with heater, external thumb lock and enclosed deep backbox
STI-7511F-HTR	Cover with heater, external thumb lock and enclosed backbox
18021	3/4" ridged conduit hub for "A" backbox
SUB-6297B20	Conduit hub for "F" backbox

F



A

