

STI PROTECTIVE CABINETS

Clear Polycarbonate Cabinets Help Protect Against Vandalism and Accidental Damage

Multipurpose lockable cabinets for remote annunciators, fire alarm control panels, or other electronic products which require physical or environmental protection. Helps guard against vandalism (accidental or intentional), as well as dirt, dust and grime (models without alarm). Covers mount on the wall enabling the unit to be stored in a central location. The cabinets are available with a key or thumb lock, with or without siren alarm or siren/strobe alarm. They also have an additional eyelet for a secondary lock or safety seal.

How It Works

Cabinets are constructed of a clear polycarbonate that allows the unit within to be highly visible and accessible. When cabinet with siren alarm is opened, the alarm emits an ear piercing siren (model with siren/strobe alarm also flashes), drawing immediate attention to the area. Operator has to unlock the unit and open the lid for access.



STI-7520 with Key Lock



STI-7533 with Thumb Lock



STI-7554 with Key Lock

Features

- Clear UV-stabilized polycarbonate cover.
- Polycarbonate rated -40°F to 120°F (-40°C to 49°C).
- Includes thumb lock or key lock.
- Steel internal mounting plate provided.
- Design allows visibility at any angle.
- External mounting tabs.
- Complete with mounting hardware and gasket.
- Additional eyelet can be used for secondary padlock or safety seal.
- Models available with or without siren alarm or siren/strobe alarm (see separate spec sheets for specific details. For siren alarm only, see STI-6400. For siren/strobe alarm see SA5000).
- Tamperproof mounting screws available.
- Lifetime guarantee against breakage of polycarbonate in normal use (one year on electronics).

STI-7520 Cabinet Series

- Frosted polycarbonate backbox.
- STI-7520 and STI-7521 NEMA 4X Approved, UL Listed.

STI-7530 Cabinet Series

- Internal drill dimples.
- Optional adjustable wire shelf available.

STI-7550 Cabinet Series

- Two rotary action latches.
- Optional wire shelf available.
- STI-7550 and STI-7551 NEMA 4X Approved, UL Listed.



Safety Technology International, Inc.

2306 Airport Road • Waterford, Michigan 48327-1209

Phone: 248-673-9898 • Fax: 248-673-1246 • Toll Free: 800-888-4784 • E-mail: info@sti-usa.com • Web: www.sti-usa.com

Europe Branch Office • Unit 49G Pipers Road • Park Farm Industrial Estate • Redditch • Worcestershire • B98 0HU • England

Tel: 44 (0) 1527 520 999 • Fax: 44 (0) 1527 501 999 • Freephone: 0800 085 1678 (UK only) • E-mail: info@sti-europe.com • Web: www.sti-europe.com

STI PROTECTIVE CABINETS

Dimensions and Technical Information

Models Available

STI-7520	NEMA 4X Cabinet with key lock - clear
STI-7521	NEMA 4X Cabinet with thumb lock - clear
STI-7522	Cabinet with key lock and siren alarm - clear
STI-7523	Cabinet with thumb lock and siren alarm - clear
STI-7530	Cabinet with key lock - clear
STI-7531	Cabinet with thumb lock - clear
STI-7532	Cabinet with key lock and siren alarm - clear
STI-7533	Cabinet with thumb lock and siren alarm - clear
STI-7534	Cabinet with key lock and siren/strobe alarm - clear
STI-7535	Cabinet with thumb lock and siren/strobe alarm - clear
STI-7550	Replacement siren alarm
STI-7551	Replacement siren/strobe alarm
STI-7552	Wire shelf for STI-7530 series
STI-7553	Wire shelf for STI-7550 series
STI-7554	NEMA 4X 3/4" rigid conduit hub
STI-7555	Additional key (J236)
05000	Replacement key for siren/strobe alarm
07530WR	Replacement key #2341 for siren alarm
07550WR	Snake eye tamperproof mounting screw
18021	Snake eye bit
18051	
18075	
19032	
19036	
19038	

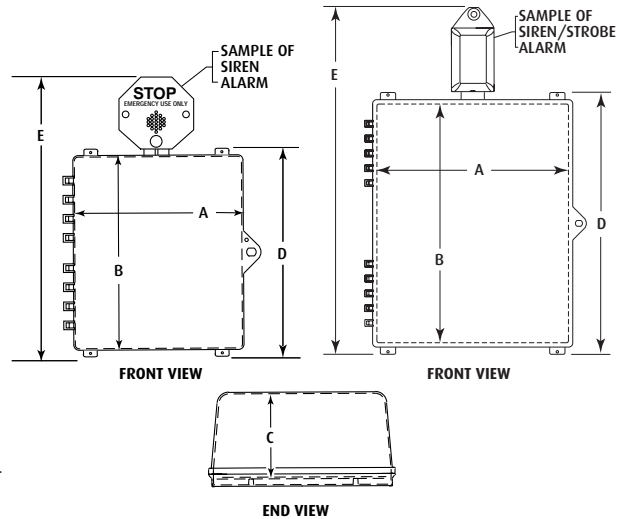
Testing Approvals

STI-7520 and STI-7521 have been tested and approved or listed by:

- UL and cUL S7255
- NEMA 4X Certified
- Tested to UL38, UL50 and UL2017

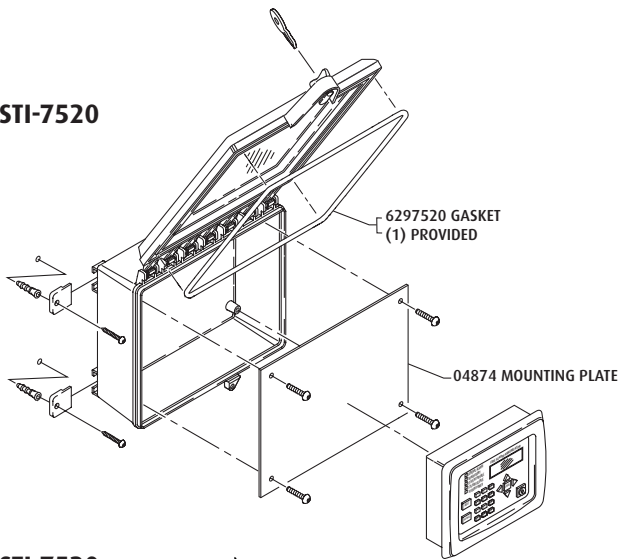
STI-7550 and STI-7551 have been tested and approved or listed by:

- UL S7255
- NEMA 4X Certified

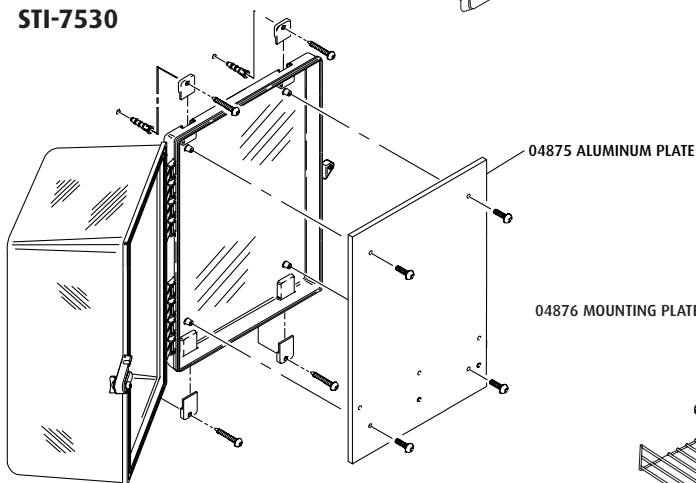


NOTE: End user must verify the alarm and battery every six months and replace battery annually or as required.

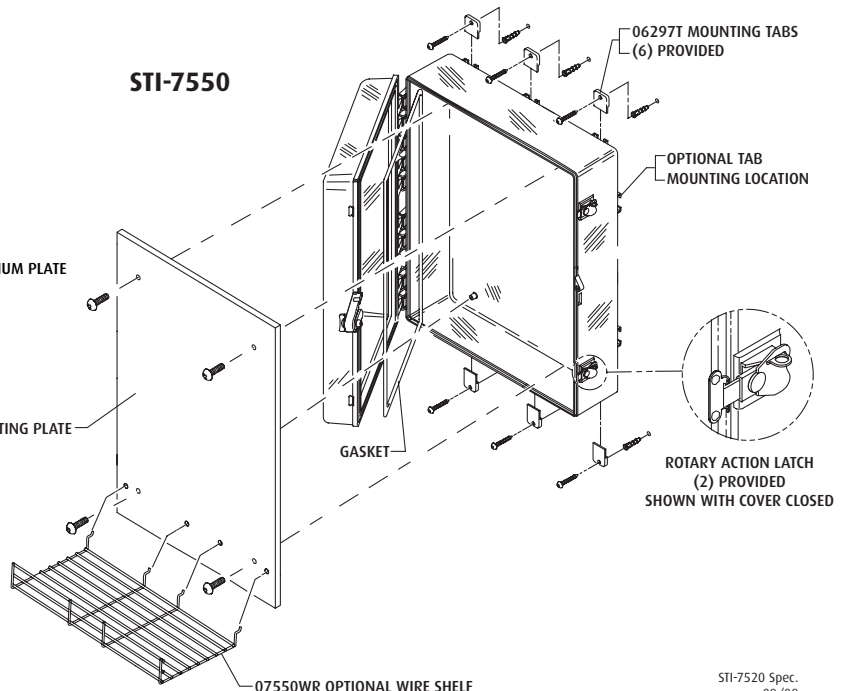
STI-7520



STI-7530



STI-7550



	A	B	C	D	E
STI-7520/7521	8.875 in.	10.875 in.	3.625 in.	12 in.	*
STI-7522/7523	(225mm)	(276mm)	(92mm)	(305mm)	19 in. (483mm)
STI-7530/7531	12.2 in.	14.2 in.	6.44 in.	16.5 in.	*
STI-7532/7533	(310mm)	(361mm)	(164mm)	(419mm)	23 in. (584mm)
STI-7534/7535					23.5 in. (597mm)
STI-7550/7551	19.75 in.	24.75 in.	7.31 in.	27.5 in.	*
STI-7552/7553	(502mm)	(629mm)	(186mm)	(699mm)	34.7 in. (881mm)
STI-7554/7555					35 in. (889mm)

* Models with no alarm