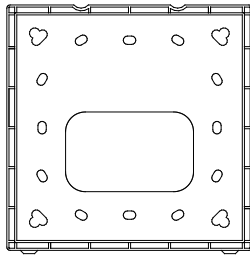


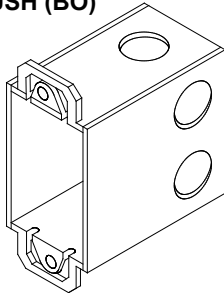
# MOUNTING ACCESSORIES

### (A) UNIVERSAL MOUNTING PLATE



"AS" Mounting

### (B) SINGLE-GANG, FLUSH (BO)



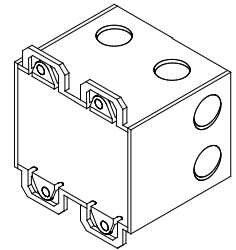
See Notes 1 & 8

MAXIMUM NUMBER OF CONDUCTORS

AWG. #18	AWG. #16	AWG. #14	AWG. #12
4	4	4	4

Used with Series AH, AS, MIZ, NH, NS, RSS

### (F) DOUBLE-GANG, FLUSH (BO)



See Notes 4

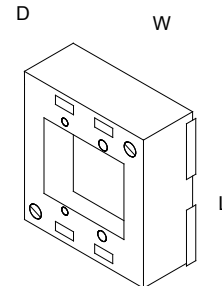
MAXIMUM NUMBER OF CONDUCTORS

AWG. #18	AWG. #16	AWG. #14	AWG. #12
4	4	4	4

Used with Series AMT, AH, AS, HS4, HS, MT, NH, NS, RSS

### (G) DOUBLE-GANG, SURFACE (BO)

L.	W.
4-3/4"	4-3/4"
D.	GANG #
1-3/4"	2



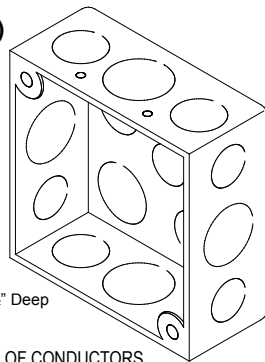
See Note 5

MAXIMUM NUMBER OF CONDUCTORS

AWG. #18	AWG. #16	AWG. #14	AWG. #12
4	4	4	4

Used with Series AH, AS, NH, NS, RSS

### (D) 4" SQUARE, FLUSH (BO)



1-1/2" Deep

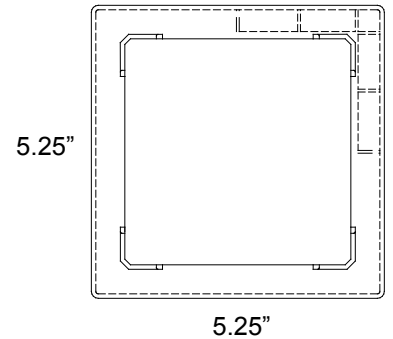
See Note 2

MAXIMUM NUMBER OF CONDUCTORS

AWG. #18	AWG. #16	AWG. #14	AWG. #12
4	4	4	4

Used with Series 31T, 43T, AMT, AH, AS, HS4, HS, MB, MT, MT4, NH, NS, RSS

### (H) NATP (Order Codes: Red 8440, White 8441)



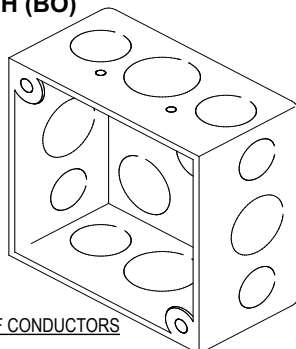
5.25"

5.25"

Thickness: 13/64"

Used with Series AH, AS, NH, NS, RSS

### (E) 4" SQUARE, DEEP, FLUSH (BO)



2-1/8" Deep

See Note 3

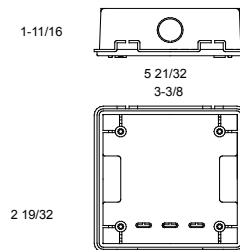
MAXIMUM NUMBER OF CONDUCTORS

AWG. #18	AWG. #16	AWG. #14	AWG. #12
8	8	8	8

Used with Series 31T, 43T, AMT, AH, AS, ET-1010, HS4, HS, MB, MT, MT4, NH, NS, RSS, RSSP

### (I) WPBB (Order Code: 9014)

For surface mounting AS outdoor products.



1-11/16

5 21/32  
3-3/8

2 19/32

5 3/16

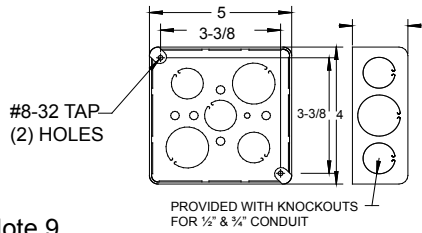
MAXIMUM NUMBER OF CONDUCTORS

AWG. #18	AWG. #16	AWG. #14	AWG. #12
8	8	8	8

Used with Series ASWP Weatherproof

**(J) BB BACKBOX (Order Codes: Red 2830, Gray 2349)**

Standard steel backbox with knockouts for interior surface mounting, concealed conduit mounting or semi-flush applications. It is painted to match the signal.



See Note 9

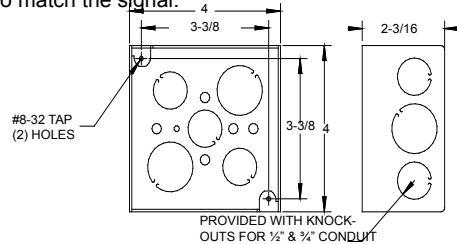
MAXIMUM NUMBER OF CONDUCTORS

AWG. #18	AWG. #16	AWG. #14	AWG. #12
4	4	4	4

Used with Series 31T, 43T, AH, AS, MB, MT4, NH, NS, RSS

**(N) DBB BACKBOX (Order Code: 2955)**

Standard steel backbox provided with knockouts for interior surface mounting, concealed conduit mounting or semi-flush applications. It is painted to match the signal.



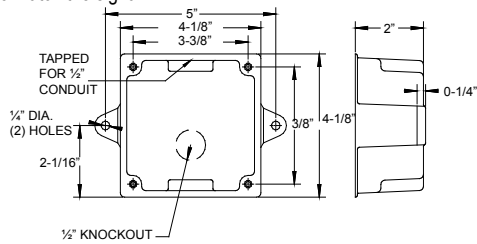
MAXIMUM NUMBER OF CONDUCTORS

AWG. #18	AWG. #16	AWG. #14	AWG. #12
8	8	8	8

Used with Series 31T, 43T, AMT, AH, AS, ET-1010, HS4, HS, MB, MT, MT4, NH, NS, RSS

**(K) WBB WEATHER RESISTANT BACKBOX (Order Codes: Red 2959, White 2411)**

Sturdy die cast housing, threaded conduit hole and knockout for outdoor applications. It is painted to match the signal.

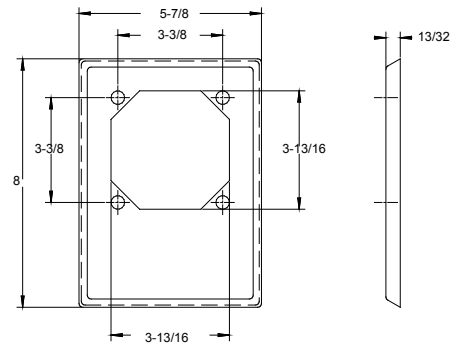


MAXIMUM NUMBER OF CONDUCTORS

AWG. #18	AWG. #16	AWG. #14	AWG. #12
4	4	4	4

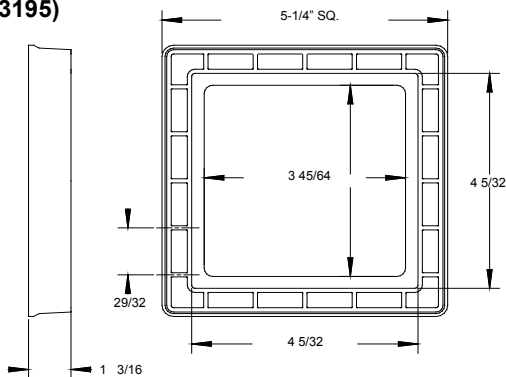
Used with Series 31T, 43T, AHWP, ET-1010, MB, MT4

**(O) RP-R RETROFIT PLATE (Order Code: 5042)**



Used with Series 31T, 43T, AMT, AH, AS, CH70, E70, ET70, ET-1010, ET-1080, HS4, HS, MB, MT, MT4, NH, NS, RSS

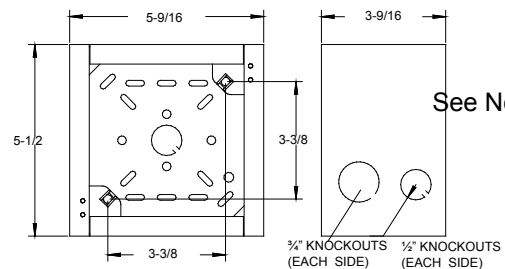
**(L) ISP2 SURFACE ADAPTER (Order Code: Red 3194, White 3195)**



Used with Series AMT, CH70, E70, ET70, HS4, HS, MT

**(P) SBB BACKBOX (Order Codes: Red 3204, White 3193)**

For surface mounting speakers, chimes, and electronic applications.



See Note 11

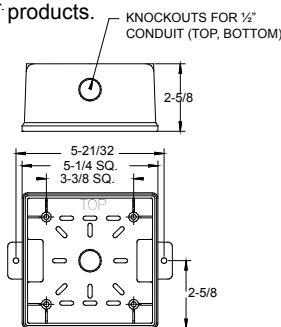
MAXIMUM NUMBER OF CONDUCTORS

AWG. #18	AWG. #16	AWG. #14	AWG. #12
8	8	8	8

Used with Series 43T, AMT, CH70, E70, ET70, ET-1080, HS4, HS, MB, MT, NH, NS, RSS

**(M) IOB BACKBOX (Order Codes: Red 5046, White 5047)**

For surface mounting MT products.



See Note 10

MAXIMUM NUMBER OF CONDUCTORS

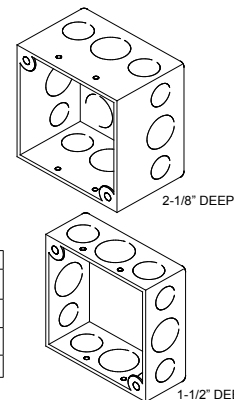
AWG. #18	AWG. #16	AWG. #14	AWG. #12
8	8	8	8

Used with Series AMT, ET70WP, HS4, HS, MT, MTWP

**(Q) 4\"/>**

See Note 6

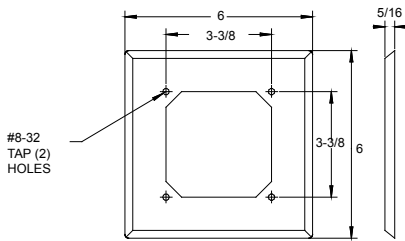
EXT. RING DEPTH	1-1/2"	2-1/8"
AWG. #18	8	8
AWG. #16	8	8
AWG. #14	8	8
AWG. #12	4	8



Used with Series CH70, CH90, E70, ET70, E90, ET90, ET-1080

**(R) SFP SEMI-FLUSH PLATE (Order Codes: Red 2957, White 2958)**

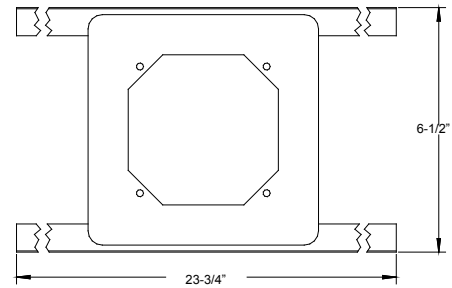
Stamped aluminum surface wall plate which mounts behind the basic unit and serves to cover recessed backboxes in semi-flush mounting applications. It is painted to match the signal.



Used with Series 31T, 43T, AMT, AH, AS, CH70, E70, ET70, ET-1010, ET-1080, HS4, HS, MB, MT, MT4, NH, NS, RSS

**(V) SSB-4 CEILING SUPPORT BRIDGE (Order Code: 3380)**

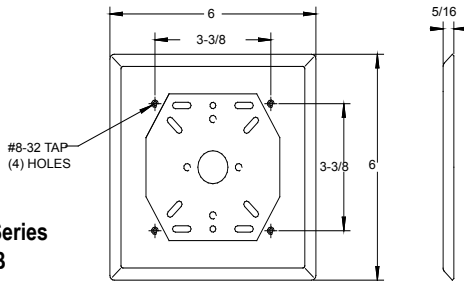
Provisions for (4) J-nuts #8-32 ib 3-3/8" square Material: Steel



Used with Series CH70, CH90, E70, ET70, E90, ET90, ET-1080

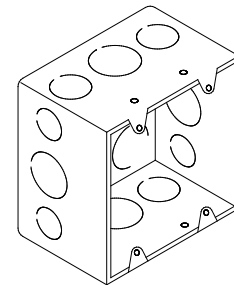
**(S) AP ADAPTER PLATE (Order Code: 2961)**

Stamped aluminum adapter plate designed for applications where semi-flush installations cannot be used. The plate can be mounted to standard octagon or round backboxes single or double gang boxes or plaster rings. The backbox and basic unit are then fastened to the plate. This type mounting is referred to as a concealed conduit installation. It is painted to match the signal.



Used with Series 43T, MB

**(W) 4 11/16" SQUARE, DEEP SURFACE (B0)**



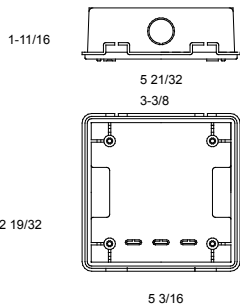
See Note 7

MAXIMUM NUMBER OF CONDUCTORS

AWG. #18	AWG. #16	AWG. #14	AWG. #12
10	10	10	10

Used with Series SM, DSM

**(T) WPSBB-R (Order Codes: Red 9751, White 3033)**

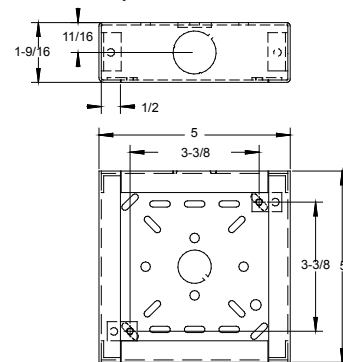


Used with Series RSSWP Weather-proof

MAXIMUM NUMBER OF CONDUCTORS

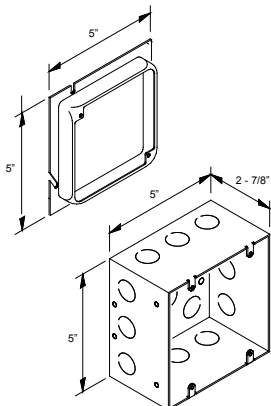
AWG. #18	AWG. #16	AWG. #14	AWG. #12
8	8	8	8

**(X) SHBB SQUARE, SURFACE BACKBOX (Order Codes: Red 7254, White 7255)**



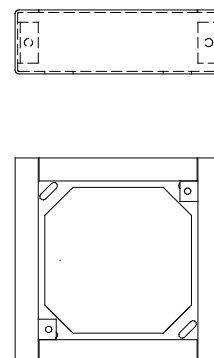
Used with Series 43T, AH, AS, MB, NH, NS, RSS

**(U) 5" SQUARE BACKBOX W/ EXTENSION RING, FLUSH (B0)**



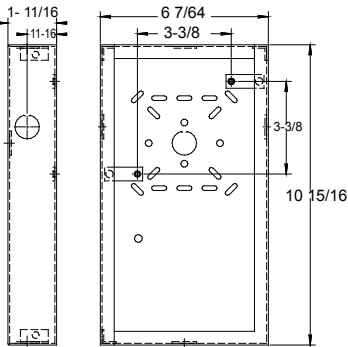
Used with Series CH70, CH90, E70, ET70, E90, ET90, ET-1080

**(Y) SER-R SQUARE SEMI-FLUSH EXTENSION RING (Order Codes: Red 3045, White 3049)**



Used with Series CH70 E70, ET70

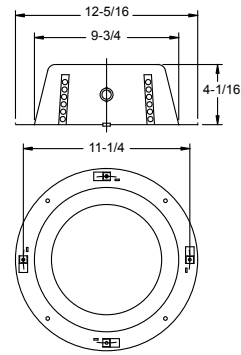
**(Z) SBL-2 BACKBOX (Order Codes: Red 6988, White 6989)**



See Note 12

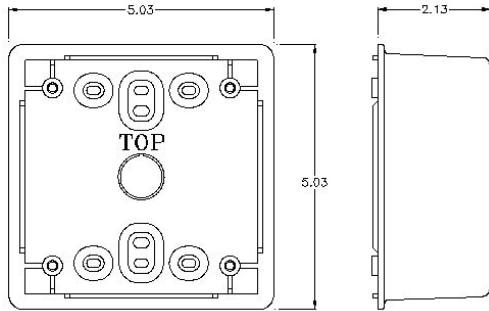
Used with Series RSSP

**(DD) CBB-8 8" CEILING SPEAKER BACKBOX (Order Code: 3314)**



Used with Series S 8" Ceiling Speakers

**(AA) E50SB-R (Order Codes: Red 0230, White 0231)**

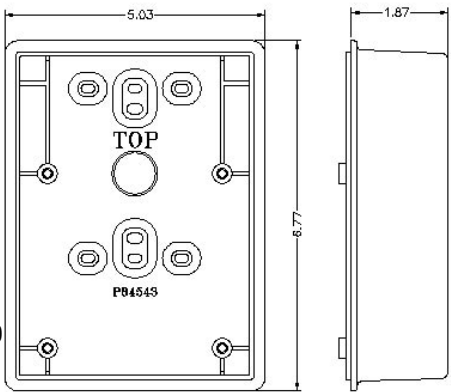


Used with Series E50

**BACKBOX DIMENSIONS FOR MPS**

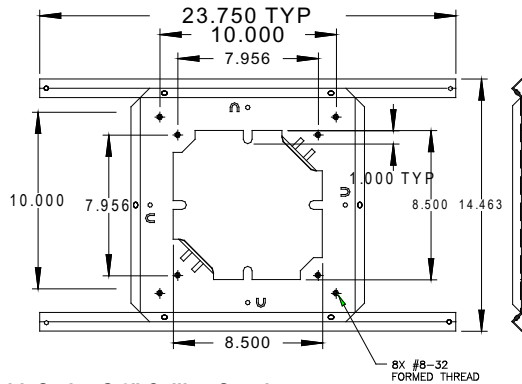
**4-3/4" H x 3-1/4" W x 2-1/4" D**

**(BB) E50SSB-R (Order Codes: Red 0232, White 0233)**



Used with Series E50

**(CC) SSB-8 8" CEILING SUPPORT BRIDGE (Order Code: 3573)**



Used with Series S 8" Ceiling Speakers

**GENERAL NOTES**

- FIGURE B IS TYPICAL OF A STEEL CITY LXM-WOW BOX OR EQUAL. FIGURE B SHOULD BE A 3.5" DEEP BACKBOX FOR CONDUIT INSTALLATIONS AND IS TYPICAL OF A STEEL CITY CY-1/2 BOX OR EQUAL.
- FIGURE D IS TYPICAL OF A STEEL CITY 52151 BOX OR EQUAL.
- FIGURE E IS TYPICAL OF A STEEL CITY 52171 BOX OR EQUAL.
- FIGURE F IS TYPICAL OF TWO STEEL CITY LXM-WOW BOXES OR EQUAL.
- FIGURE G IS TYPICAL OF A WIREMOLD 5748-2 BOX OR EQUAL.
- FIGURE Q IS TYPICAL OF A STEEL CITY 52171 BOX WITH A STEEL CITY 53151 EXTENSION RING OR EQUAL.
- FIGURE W IS TYPICAL OF A STEEL CITY 72171-1 BOX OR EQUAL.
- USE 3.5 DEEP BACKBOX ON ALL MIZ PRODUCTS WHEN EMT CONDUIT IS USED.
- WHEN USED WITH AC HORN (J), "BB" MUST BE USED FOR SURFACE MOUNT.
- HS4, HS, MT OR MTWP STROBE ARE FOR OUTDOOR MOUNTING.
- USE WITH SERIES RSSP.
- FIGURE U IS TYPICAL OF A RANDL INDUSTRIES BACKBOX. ("Total Number of conductors shall be in accordance with NEC table 314.16 (B)").



S5391  
S2652



151-92-E



# MOUNTING MATRIX

	Series E90/ET90	Series RSS/RSSR	Series RSSP	Series 31T	Series E50	Series 43T Bells	Series CH	Series ET80	Series ET1010	Series MB Motor Bells	Series E70/ET70	Series MIZ/MIZ-TC	Series MT	Series NH/NS	Series HS4/HS	Series SM/DSM	Series AMT	Series AS/AH	Series RSSWP(1), ASWP(2), AHWP(3), MTWP(4), MT-12/24(4), ET70WP(4)	Series S
(A) Universal Mounting Plate																		X		
(B) 1-GANG x 2" Deep - Flush (BO) Note 1 & 8		X									X			X				X		
(D) 4" x 4" x 1.5" Deep - Flush (BO) Note 2		X	X	X		X			X					X				X		
(E) 4" x 4" x 2.125 Deep - Flush (BO) Note 3		X	X	X	X	X		X	X				X	X	X			X	X	
(F) 2-Gang x 3.5" Deep - Flush (BO) Note 4 & 8		X											X	X	X			X	X	
(G) 2-Gang x 1.75" Deep - Surface (BO) Note 5		X												X				X		
(H) NATP Trim Plate		X												X				X		
(I) WPBB-R Weatherproof Backbox for ASWP																				2
(J) BB Surface (WSI) Note 9		X		X	X				X	X				X				X		
(K) WBB Weatherproof (WSI)				X	X			X	X									X		3
(L) ISP Adapter (WSI) for Square Products							X	X					X		X		X			
(M) IOB Surface & Weatherproof (WSI) Note 10										X			X		X		X			4
(N) DBB Surface (WSI)		X		X	X			X	X				X	X	X		X	X		
(O) RP-R Retrofit Plate		X		X	X	X	X	X	X				X	X	X		X	X		
(P) SBB Surface (WSI) Note 11	X	X			X	X	X	X	X	X			X	X	X		X			
(Q) 4" x 4" x 2.125" Box w/ 1.5" Extension Ring- Flush (BO) Note 6	X		X				X	X		X										
(R) SPT Semi-Flush Plate (WSI)		X		X	X	X	X	X	X	X			X	X	X		X	X		
(S) AP Adapter Plate (WSI)					X			X	X	X										
(T) WPSBB-R Weatherproof Backbox for RSSWP																				1
(U) 5" Square Backbox w/ Extension Ring, Flush (BO)	X						X	X												
(V) SSB-4 Ceiling (WSI) Support Bridge	X						X	X		X								X		
(W) 4.6875" x 4.6875" x 2.125" Deep Surface (BO)																X				
(X) SHBB (WSI) Shallow Surface		X			X					X				X				X		
(Y) SER Semi-Flush Extension Ring (Retrofit Appl.)	X						X			X										
(Z) SBL-2 Surface (WSI) Note 11		X	X	X		X	X	X	X											
(AA) E50SB Backbox for E50 Speaker					X															
(BB) E50SSB Backbox for E50 Speaker Strobe					X															
(CC) SSB-8 8" Speaker Support Tile Bridge																				X
(DD) CBB-8 8" Ceiling Speaker Backbox																				X
<b>Data Sheet Number(s)</b>	S0310 S1610	S0410 S9008	S0410	S0500	S0500	S0600	S0710	S0800	S0800	S1500	S0310 S1610	S1700	S2000	S2100	S2400	S3000	S4000	S8100	S9004 S9006	S1100

## MOUNTING NOTES

⚠ Caution: The mounting options figures show the maximum number of field wires (conductors) that can enter the backbox used with each mounting option. If these limits are exceeded, there may be insufficient space in the backbox to accommodate the field wires and stresses from the wires could damage the product.

Although the limits shown for each mounting option comply with the National Electrical code (NEC), Wheelock recommends use of the largest backbox option and the use of approved stranded field wires whenever possible, to provide additional wiring room for easy installation and minimum stress on the product from wiring.

⚠ Caution: Check that the installed product will have sufficient clearance and wiring room prior to installing backboxes and conduit, especially if sheathed multiconductor cable or 3/4" conduit fittings are used.

1. Mounting hardware for each mounting option is supplied.
2. Conduit entrances to the backbox should be selected to provide sufficient wiring clearance for the installed product. When extension rings are required, conduit should enter through the backbox, not the extension ring. Use Steel City #53151 (1-1/2" deep) or #53171 (2-1/8" deep) extension rings (as noted in the mounting options) or equal with the same cut-out area.
3. When terminating field wires, do not use more lead length than required. Excess lead length could result in insufficient wiring space for the appliance.
4. Use care and proper techniques to position the field wires in the backbox so that they use minimum space and produce minimum stress on the product. This is especially important for stiff, heavy gauge wires and wires with thick insulation or sheathing.
5. Do not pass additional wires (used for other than the appliance) through the backbox "unless the backbox is of a sufficient size to permit additional wiring as described in NEC 314.16 (B)". Such additional wires could result in insufficient wiring space for the appliance.

NOTE: Due to continuous development of our products, specifications and offerings are subject to change without notice in accordance with Wheelock Inc. standard terms and conditions.

# BACKBOX MOUNTING HEIGHTS for WHEELLOCK WALL MOUNTED HORIZONTAL STROBE APPLIANCES

**NFPA-72 (2002)**

**7.5.4\* Appliance Location. Wall-mounted appliances shall be mounted such that the entire lens is not less than 2.0 m (80 in.) and not greater than 2.4 m (96 in) above the finished floor.**

Backbox Mounting Options*	Series AS Audible Strobe		Series RSSP Flush and Surface Retrofit Plate		Series NS Horn Strobe		Series RSS Strobe		Series MT and AMT Multitone Strobe		Series E50 Speaker Strobe	
	80 IN	6 IN	80 IN	6 IN	80 IN	6 IN	80 IN	6 IN	80 IN	6 IN	80 IN	6 IN
(B) 1-Gang x 2" Deep - Flush (BO)	77 1/2"	8 1/2"			78 3/8"	7 5/8"	79 1/8"	6 7/8"				
(D) 4" x 4" x 1.5" Deep - Flush (BO)	77"	9"	83 15/16"		77 7/8"	8 1/8"	78 5/8"	7 3/8"	79 15/16"	6 1/16"		
(E) 4" x 4" x 2.125" Deep - Flush (BO)	77"	9"	83 15/16"		77 7/8"	8 1/8"	78 5/8"	7 3/8"	79 15/16"	6 1/16"	75 3/4"	11 1/4"
(F) 2-Gang x 3.5" Deep - Flush (BO)	77 1/2"	8 1/2"			78 3/8"	7 5/8"	79 1/8"	6 7/8"	80 9/16"	5 7/16"		
(G) 2-Gang x 1.75" Deep - Surface (BO)	77 1/2"	8 1/2"			78 3/8"	7 5/8"	79 1/8"	6 7/8"	80 9/16"	5 7/16"		
(M) IOB Surface & Weatherproof (WSI)									79 3/8"	6 5/8"		
(P) SBB Surface (WSI)									79 1/4"	6 3/4"		
(U) 5" Square Backbox w/ Extension Ring, Flush (BO)	69 1/2"	8 1/2"	83 7/16"		77 3/8"	7 5/8"	78 1/8"	6 7/8"	79 7/16"	5 9/16"		
(X) SHBB (WSI) Shallow Surface	76 1/2"	9 1/2"			77 3/8"	8 5/8"	78 1/8"	7 7/8"				
(Z) SBL-2 Surface (WSI)			78"									

Backbox Mounting Options*	Series CH70 Chime Strobe		Series ET80 Speaker Strobe		Series E70 Speaker Strobe		Series ET70 Speaker Strobe		Series SA-70S Self Amplified Speaker Strobe		Series E50 Speaker Strobe	
	80 IN	6 IN	80 IN	6 IN	80 IN	6 IN	80 IN	6 IN	80 IN	6 IN	80 IN	6 IN
(P) SBB Surface (WSI)	77 3/4"	8 1/4"	79 3/16"	6 13/16"	77 3/4"	8 1/4"	77 3/4"	8 1/4"	79 3/16"	6 13/16"		
(Q) 4" x 4" x 2.125" Box w/ 1.5" Extension Ring - Flush (BO)	77 1/2"	7 1/2"	80"	6"	78 1/2"	7 1/2"	78 1/2"	7 1/2"	80"	6"		
(U) 5" Square Backbox w/ Extension Ring - Flush (BO)	78"	7"	79 1/2"	5 1/2"	78"	7"	78"	7"	79 1/2"	5 1/2"	75 1/8"	11 3/8"
(Y) 4" x 4" x 1.5" Box w/ 1.5" Extension Ring Plate - Flush (BO)	78 1/2"	7 1/2"	80"	6"								
(BB) E50SSB Surface Box											74 1/2"	12"

**\* Measured from Bottom of Backbox**

**NOTES:**

**(BO) = By Others**

**(WSI) = Wheelock Product**

Intentionally left blank.

 **COOPER** Wheelock

273 Branchport Avenue  
Long Branch, NJ 07740  
Phone: (800) 631-2148  
Fax: (732) 222-2588  
[www.cooperwheelock.com](http://www.cooperwheelock.com)



WE ENCOURAGE AND SUPPORT NICET CERTIFICATION  
3 YEAR WARRANTY  
Made in USA

S7000 Mounting 06/06